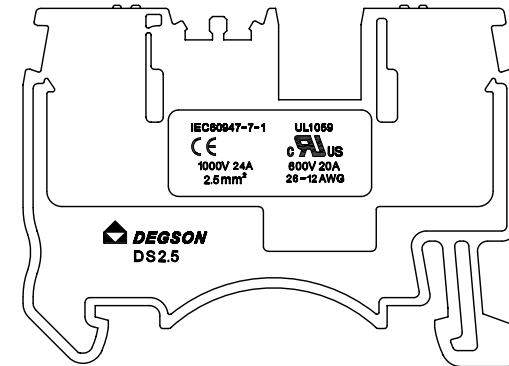
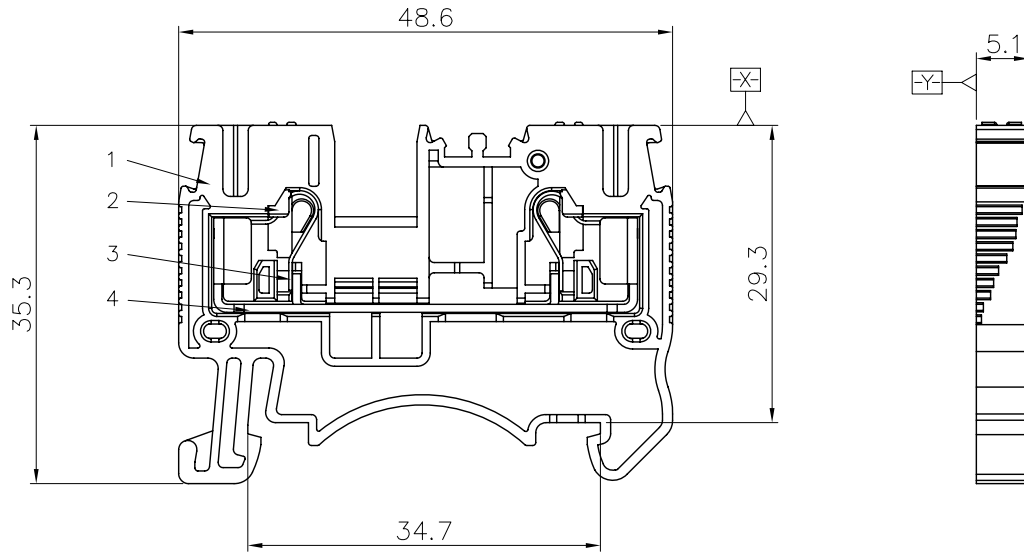
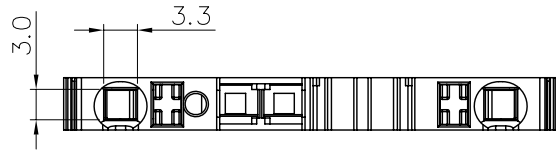


REVISION RECORD

REV	ECN	DESCRIPTION	DRFT	DATE
-----	-----	-------------	------	------



4	DS2.5-00A CURRENT CARRIER	1	COPPER	Sn plated
3	DS2.5-00A SPRING	2	STAINLESS STEEL	
2	DS2.5-00A BUTTON	2	POM	UL94V-2
1	DS2.5-00A HOUSING	1	PA66	UL94V-0
ITEM	NAME OF PART	Q"TY	MATERIAL	NOTES

NOTES1:

UL Standard

- 1.Rated Voltage/Current : 600V / 20A
- 2.Withstanding Voltage : AC2200V/1Min.
- 3.Wire Range : 26~12AWG

IEC Standard

1. Pollution Degree	3
Overvoltage Category	III
Rate Impulse Voltage(KV)	8.0KV
Rate Voltage(V)	1000V
Rate Current(A)	24A

- 2.Wire Range : 0.2~2.5mm²&4mm²(sol)

NOTES2:

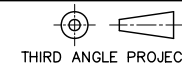
- 1.Dimension shall be interpreted per ASME Y14.5-2009
- 2.Pitch : 5.1mm, Poles : N=01P
- 3.Stripping length : 10-12mm
- 4.Operating temperature: -40°C~+105°C
- 5.Undimensioned Tolerances:

Pitch Range In mm		Nominal Dimension Range In mm								
To	Over To	Over To	To	Over To	Over To	Over To	Over To	0.1/10		
6	10	10	30	30	60	100	150			
±0.15	±0.20	±0.30	±0.30	±0.50	±0.70	±1.00	±1.30	±2'		

- 6.RoHS Compliance

PART NO.:	/			
APPD:	NAME: DEGSON ® NINGBO DEGSON ELECTRICAL CO., LTD			
CHKD:	DS2.5-01P-1Y-00A(H)			
DRFT:	LZH 04/14/16"	TITLE: CUSTOMER DRAWING	REV	D0-1
		DRAWING NO.:	DS2.5-C01	SHEET 1/1
		MM (INCH)	DO NOT SCALE DRAWING	SCALE 1:1

DETACHED LISTS



THIRD ANGLE PROJECTION