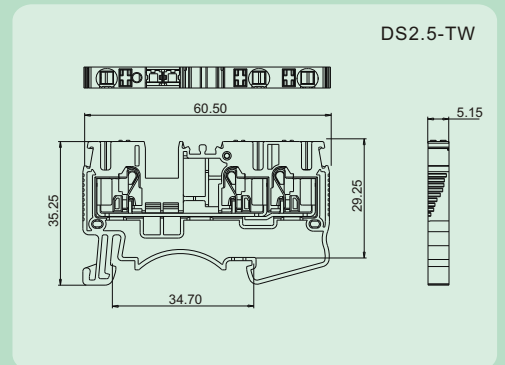
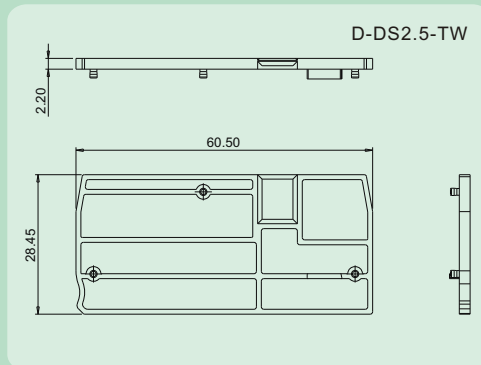


### DS2.5-TW/D-DS2.5-TW

- PUSH-IN弹簧结构，能方便地连接刚性导线和带冷压头的导线，无需使用任何工具。
- 紧凑设计和二进一出正面接线使得可在密闭空间内进行接线。
- PUSH-IN Spring structure, easy connection for solid wire and stranded wire with ferrule, tools free .
- Compact design, two input and one output structure, suitable for connection in narrow space.



### 技术参数 Technical data

APPROVAL: CE

型号 Model	线径 Wire range (AWG/mm <sup>2</sup> )	线数 Poles	IEC60947技术参数 (IEC60947 data sheet)		UL1059技术参数 (UL1059 data sheet)	
			电压(V) Rated voltage	电流(A) Rated current	电压(V) Rated voltage	电流(A) Rated current
DS2.5-TW	26-12/0.2-2.5	01P	1000	24	600	20

### 应用行业 Application

工业自动化，新能源，电梯，电力电气，电源，轨道交通，机械等行业。  
industrial automation, new energy, elevator, electric power, power supply, mechnery.



### 产品包装方式 Packing

Product model	Pcs./Pkt.
DS2.5-TW	25

### 型号对照 Cross reference

DEGSON	同行1/Competitor1	同行2/Competitor2
DS2.5-TW	PT 2.5-TWIN	2002

### 产品订货 How to order

