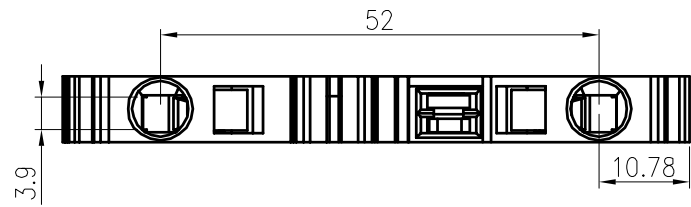


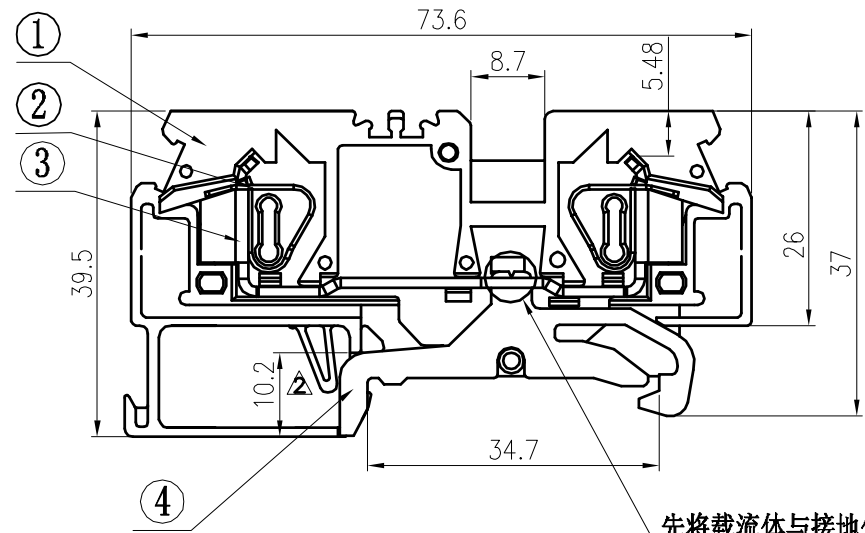
REVISION RECORD				
REV	ECD	DESCRIPTION	DRFT	DATE
①		修改品名料号中“Y”为“C”	LJH	04/06/09
②		增加限位结构	CW	05.14.09



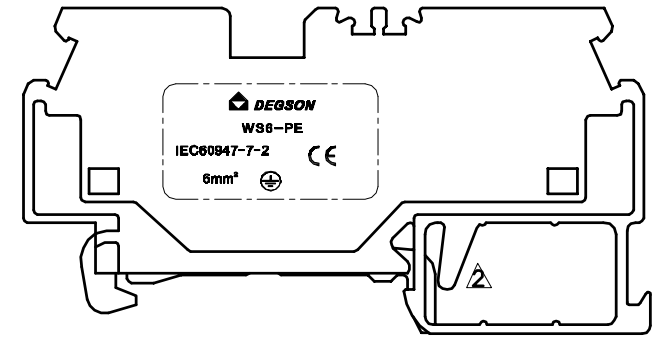
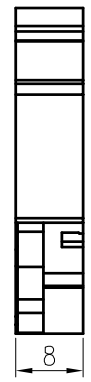
Notes:

1. Operation temperatures: -40°C ~ +105°C
2. Withstanding Voltage: AC8000V/1Min
3. Insulation Resistance: 5000MΩ/DC1000V
4. Wire Range: 24~10AWG, 0.2~6mm<sup>2</sup>
5. Undimensioned Tolerances:

Pitch range in mm		Nominal dimension range in mm					—	
to 6	over 6 to 10	over 10 to 24	to 30	over 30 to 60	over 60 to 100	over 100 to 150	∩ ∇	
±0.10	±0.15	±0.25	±0.2	±0.3	±0.5	±0.7	±1.0	0.05/10



先将载流体与接地体铆接在一起, 后在铆接处用锡焊接。



4	WS6-PE-Ground Contact	6034B00010 (H)	1	Copper	SnCe
3	WS6-Current Carrier	6028B00010 (H)	1	Copper	SnCe
2	WS6-Shrapnel	X000001880 (H)	2	Stainless steel	
1	WS6-PE-Housing	6034A0C01A (H) ①	1	PA66	UL94V-0
ITEM	NAME OF PART	NO. OF PART	Q'TY	MATERIAL	NOTES

DETACHED LISTS MM .0 ± .00 ± .000 ± ANGLES ± 1° THIRD ANGLE PROJECTION	MM CINCH	DFTD HXG	DATE 09/20/08'	宁波高正电子有限公司 DEGSON ELECTRONICS CO., LTD NAME (黄绿混色) ① <b>WS6-PE-01P-1C-00A (H)</b> DRAWING NO. WS6-PE-E01 /PART NO. DO NOT SCALE DRAWING		
	TOLERANCES EXCEPT AS NOTED		CHKD			DATE
	MM	±	MFD			DATE
	APPVL	DATE	MATERIAL :			G.E :
FINISH:		SCALE : 1:1		SIZE A3	REV T2 051409	
SHEET 1				OF 1		