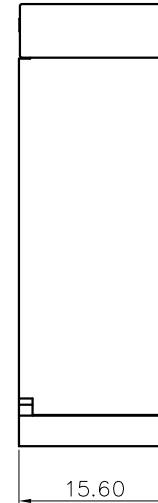
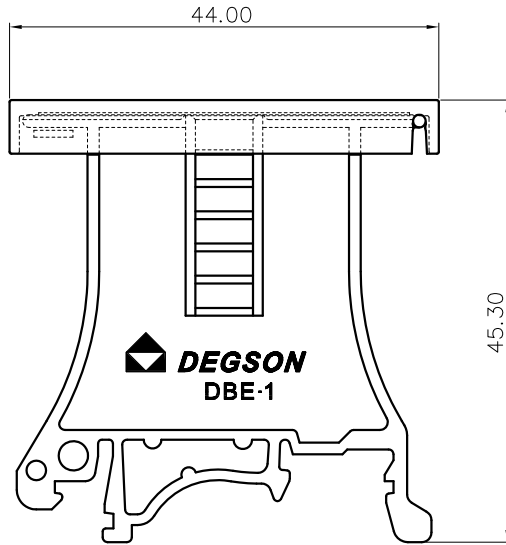


REVISION RECORD				
REV	ECN	DESCRIPTION	DRFT	DATE



DBE-1 - 01P - 1Y - 00A (H)
 (Series No.)(Poles) (Single Pitch) (Color): 1.(Grey)
 2.(Blue)
 3.(Black)
 4.(Green)
 5.(Orange)
 6.(Red)
 7.(Transparent)
 8.(Yellow)
 9.(White)
 (RoHS)
 00A-(Standard)

- NOTES:
 1.Dimension shall be interpreted per ASME Y14.5-2009
 2.Operating temperature: -40°C~+105°C
 3.Undimensioned tolerances:

Pitch range in mm			Nominal dimension range in mm				-	∩	□
TO	Over TO	Over TO	TO	Over TO	Over TO	Over TO	0.1/10		
6	6 TO 10	10 TO 24	30	30 TO 60	60 TO 100	100 TO 150			
±0.15	±0.20	±0.30	±0.30	±0.50	±0.70	±1.00	±1.30	±2°	

4.RoHS Compliance

DETACHED LISTS	PART NO.:	宁波高松电子有限公司 NINGBO DEGSON ELECTRICAL CO., LTD			
	APPD:	NAME: DBE-1-01P-1Y-00A(H)			
	CHKD:	TITLE: CUSTOMER DRAWING			
	DRFT:	DRAWING NO.:		REV	DO
THIRD ANGLE PROJECTION		MM (INCH)	DO NOT SCALE DRAWING	SHEET 1/1	SCALE 1:1