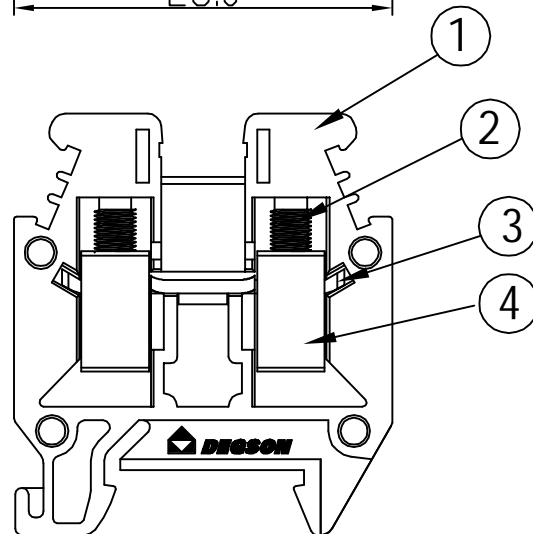
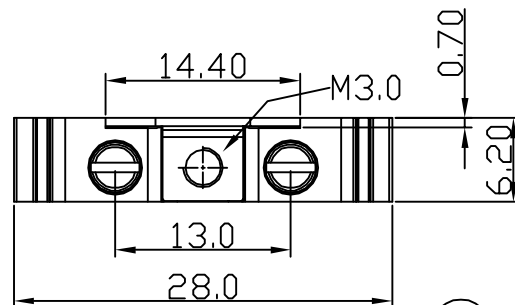
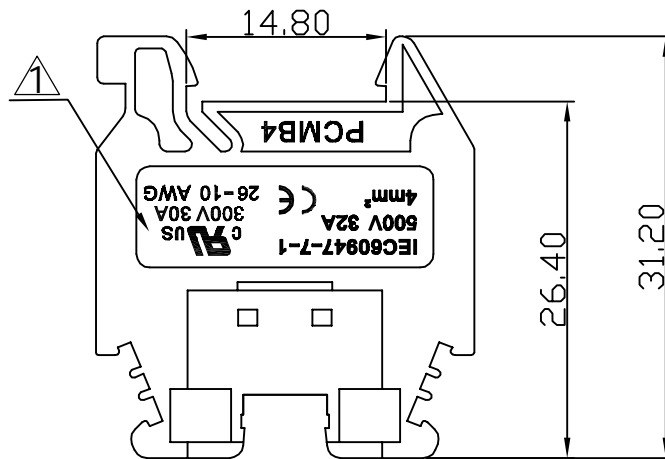


REVISION RECORD					
REV	ECD	DESCRIPTION	DRFT	DATE	
△	10-0145	增加UL刻字及刻字	COCO	05/24/10'	



Notes:

- Pitch: 6.2mm
- Rated voltage/current: UL: 300V/30A  
IEC 500V/32A
- Operation temperatures: -40° C ~ +105° C
- Withstanding Voltage: AC3000V/1Min
- Insulation Resistance: 5000MΩ / 1000V
- Wire Range: 26~10AWG, 4mm<sup>2</sup>
- Max. Torque Value 4.40kgf.cm
- Undimensioned Tolerances:

Pitch range in mm		Nominal dimension range in mm							
	over 6	over 10	over 30	over 60	over 100	over 150	—		
to	to 10	to 24	to 30	to 60	to 100	to 150	∩		
to	6	10	6	60	100	150	◇		
	±0.10	±0.15	±0.25	±0.2	±0.3	±0.5	±0.7	±1.0	0.05/10

4	PCDK4 Cage	X000001840(H)	2	Brass	Ni plate
3	PCMB4 Current carrier	6075B00010(H)	1	Coppo	SnCe
2	PC2.5B Screws	S000001100	2	Brass	Ni plate
1	PCMB4 Housing	6075A0Y01A(H)	1	PA66	UL94V-0
ITEM	NAME OF PART	NO. OF PART	Q'TY	MATERIAL	NOTES

DETACHED LISTS	MM (INCH)	DF TO LIN	DATE 10/19/06'	宁波高正电子有限公司 <b>DEGSON</b> ® DEGSON ELECTRONICS CO., LTD NAME PCMB4-01P-1Y-00A(H) DRAWING NO. PCMB4-E01 SIZE A3 REV T1 /PART NO. /PART NO. 05/24/10' DO NOT SCALE DRAWING SHEET 1 OF 1	
	TOLERANCES EXCEPT AS NOTED	CHKD	DATE		
	MM	MFD	DATE		
	.0 ±	APPVL	DATE		
	.00 ±	MATERIAL :			
.000 ±	ANGLES ± 1°	G.E :			
	THIRD ANGLE PROJECTION	FINISH:			
	SCALE :				