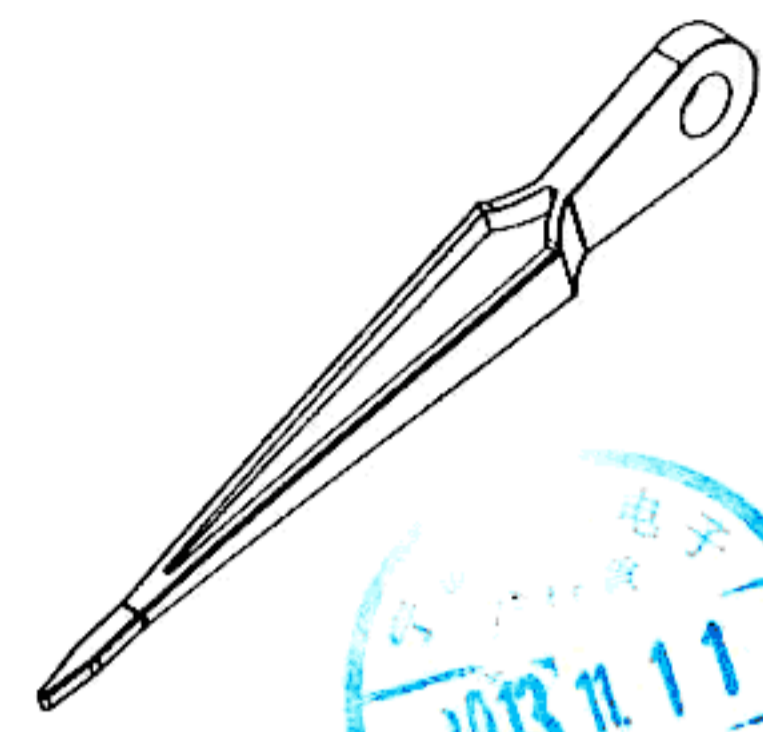
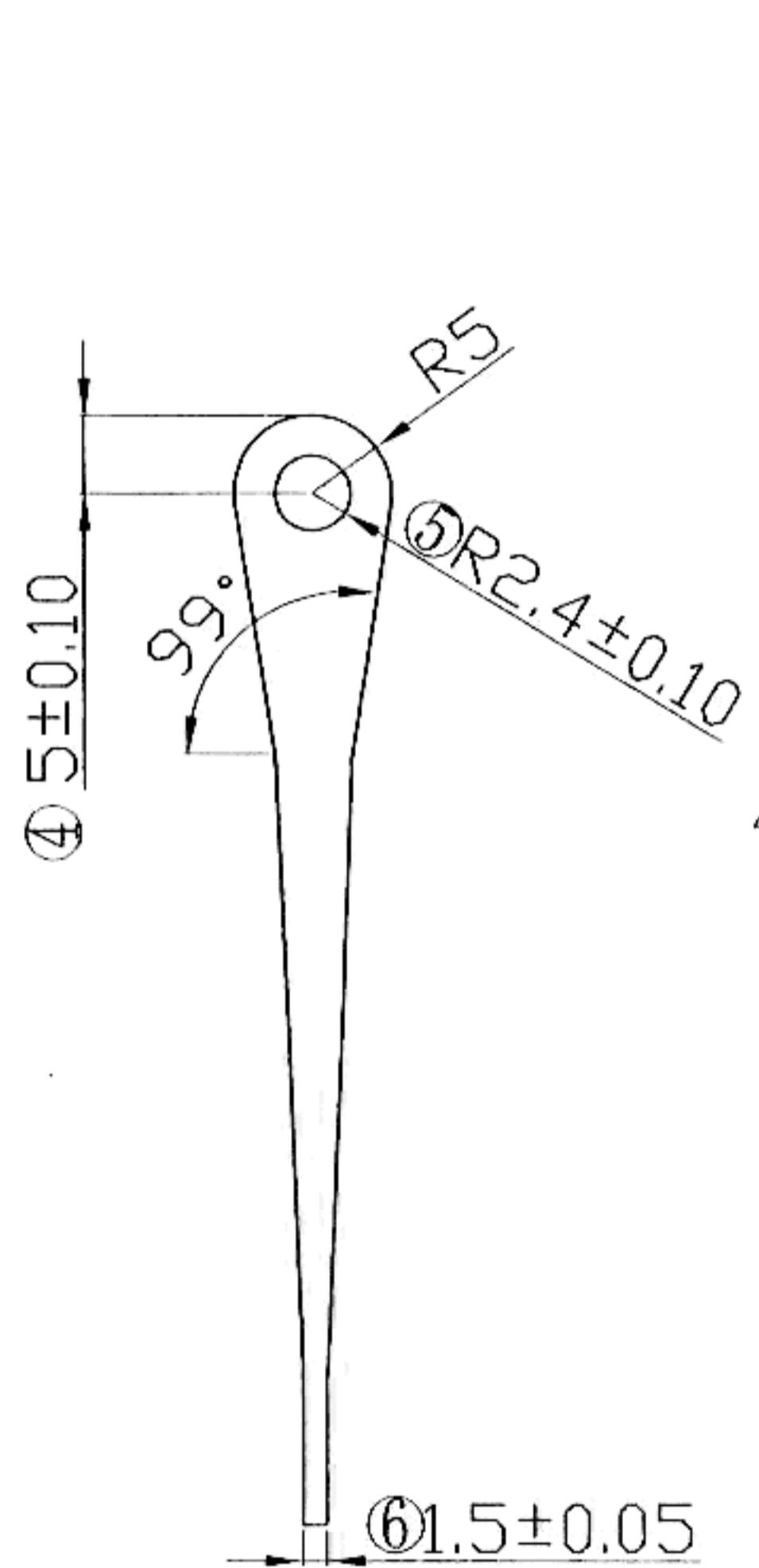
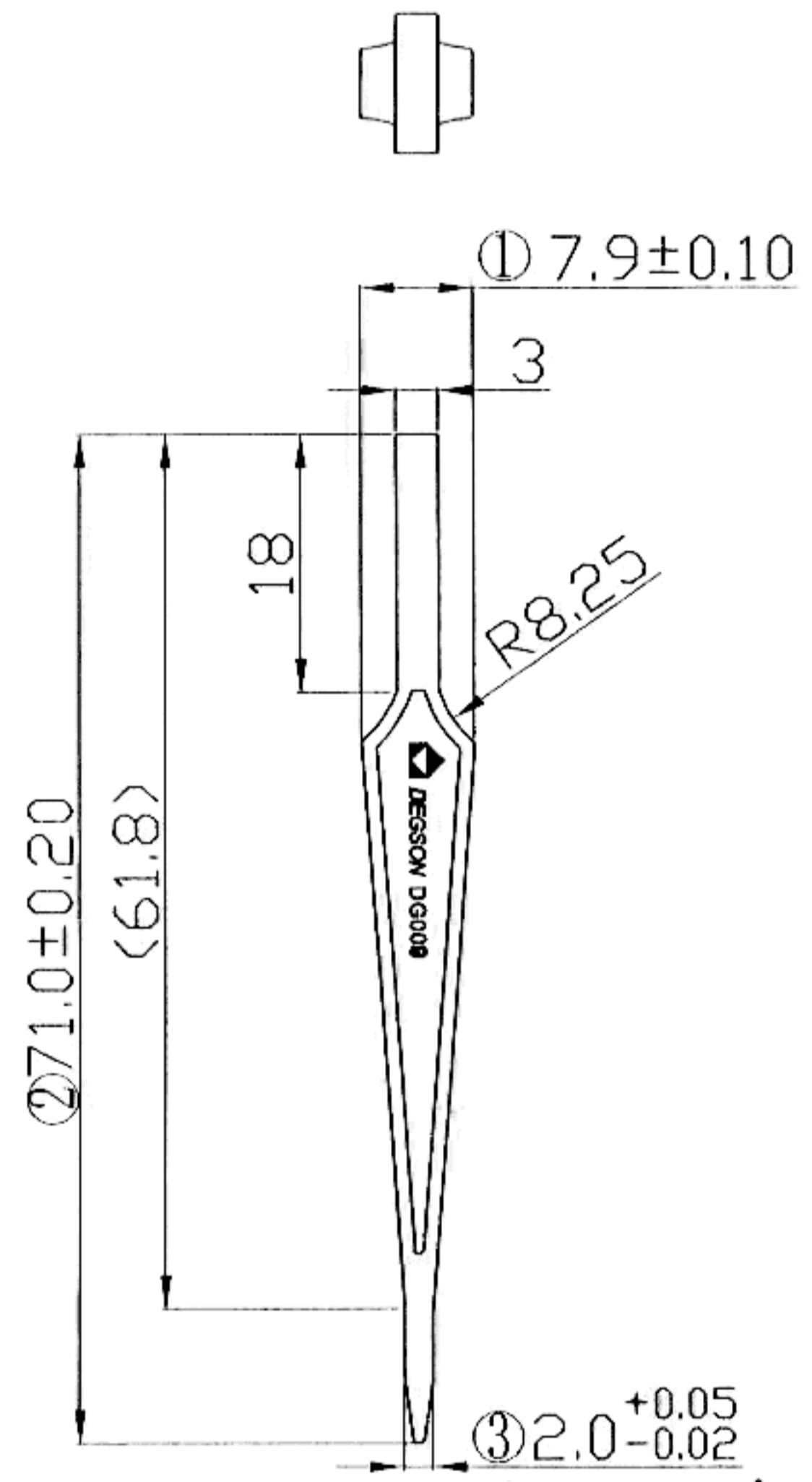


REVISION RECORD				
REV	ECD	DESCRIPTION	DRFT	DATE
△	13-0215	取消技术参数毛刺要求	YSY	10-24-13



△ 技术要求:

- 1、材质: POM M90-44(本色代码:19);
- 2、“⊗”为重点管制尺寸;
- 3、未标注尺寸公差:

Pitch range in mm		Nominal dimension range in mm					
to	over	to	over	to	over	to	
8	8 to 16	6	6 to 30	30	90 to 200	200 to 480	
±0.08	±0.13	±0.18	±0.1	±0.2	±0.3	±0.5 ±0.7	

1	DG009 塑体	3013D0Y01D(H)	POM	UL94HB	
ITEM	NAME OF PART	NO. OF PART	Q"TY	MATERIAL	NOTES
TOLERANCES EXCEPT AS NOTED: MM: .1 ±, .00 ±, .000 ± ANGLES ± 1° THIRD ANGLE PROJECTION		DFTD HXG: DATE 08/15/09 CHKD Sue: DATE 10/28/13 MFD: DATE APPVL Alan: DATE 10/28/13	DEGSON® 宁波高正电子有限公司 DEGSON ELECTRONICS CO., LTD NAME: DG009-01P-1Y-00A(H) DRAWING NO. DG009-E01 /PART NO. DO NOT SCALE DRAWING		
SCALE: 1:1		SIZE: A4		REV: T1	DATE: 10/24/13
SHEET 1			OF 1		