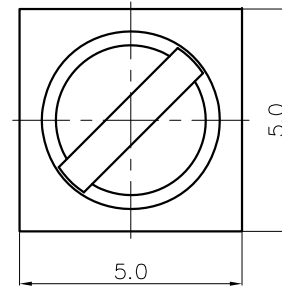
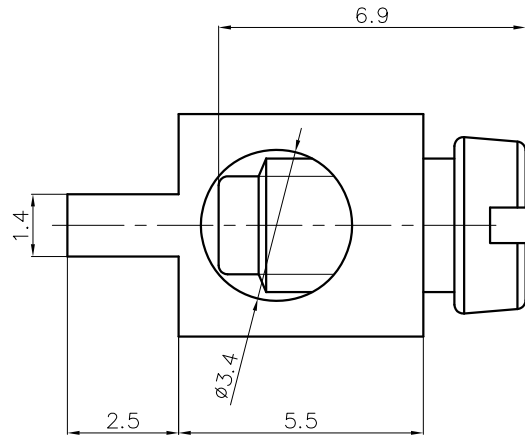


REVISION RECORD

REV	ECN	DESCRIPTION	DRFT	DATE
-----	-----	-------------	------	------

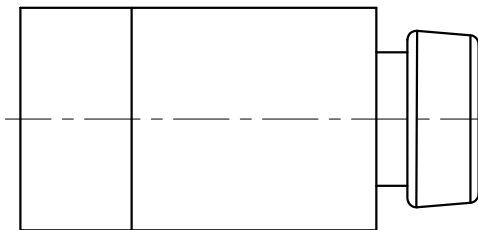
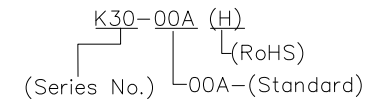



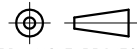
NOTES:

- 1.Torque Value : M3 , 4.43Lb.in
- 2.Dimension shall be interpreted per ASME Y14.5-2009
- 3.Undimensioned tolerances:

Pitch range in mm		Nominal dimension range in mm					
TO	Over TO	Over TO	TO	Over TO	Over TO	Over TO	0.1/10
6	10	24	30	60	100	150	<
±0.15	±0.20	±0.30	±0.30	±0.50	±0.70	±1.00	±1.30
							±2'

4.RoHS Compliance



DETACHED LISTS	PART NO.:	 宁波高松电子有限公司 NINGBO DEGSON ELECTRICAL CO., LTD			
	APPD:	NAME: K30-00A(H)			
	CHKD:	TITLE: CUSTOMER DRAWING			
	DRFT:	DRAWING NO.:		REV	DO
 THIRD ANGLE PROJECTION		DO NOT SCALE DRAWING		SHEET	1/1
		MM (INCH)		SCALE	1:1