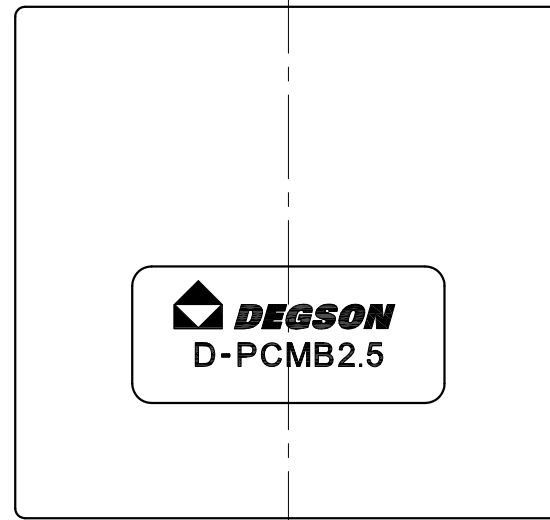
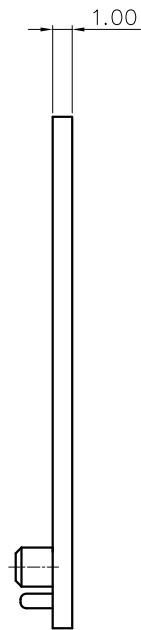
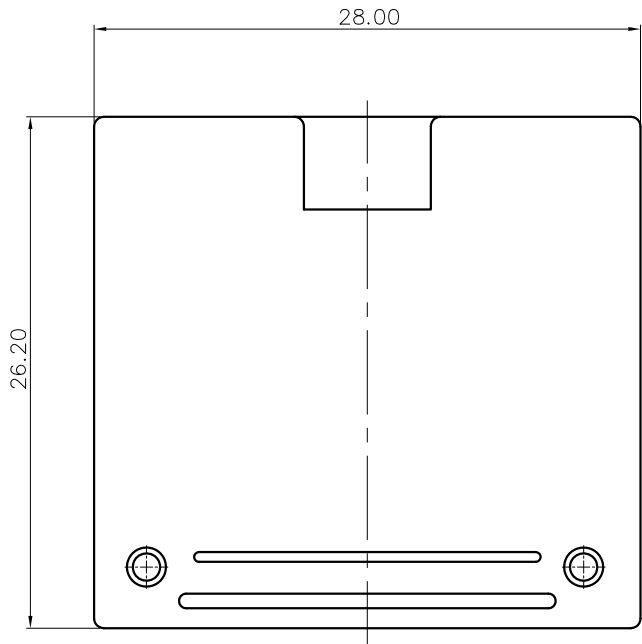


| REVISION RECORD | | | | |
|-----------------|-----|-------------|------|------|
| REV | ECN | DESCRIPTION | DRFT | DATE |
| | | | | |



D-PCMB2.5 - 01P - 1Y - 00A (H)
 (Series No.)(Poles) (Single Pitch) (Color): 1.(Grey)
 2.(Blue)
 3.(Black)
 4.(Green)
 5.(Orange)
 6.(Red)
 7.(Transparent)
 8.(Yellow)
 9.(White)
 (RoHS)
 00A-(Standard)

- NOTES:
 1.Dimension shall be interpreted per ASME Y14.5-2009
 2.Operating temperature: -40°C~+105°C
 3.Undimensioned tolerances:

| Pitch range in mm | | Nominal dimension range in mm | | | | - | ∩ | □ |
|-------------------|-------|-------------------------------|-------|-------|-------|-------|--------|-----|
| TO | Over | Over | Over | Over | TO | TO | TO | TO |
| 6 | 10 | 10 | 30 | 60 | 100 | 150 | 0.1/10 | |
| 6 | 10 | 24 | 30 | 60 | 100 | 150 | < | |
| ±0.15 | ±0.20 | ±0.30 | ±0.30 | ±0.50 | ±0.70 | ±1.00 | ±1.30 | ±2° |

4.RoHS Compliance

| | | | | | |
|------------------------|-----------|---|----------------------|-------|-----|
| DETACHED LISTS | PART NO.: | 宁波高松电子有限公司 NINGBO DEGSON ELECTRICAL CO., LTD | | | |
| | APPD: | NAME: D-PCMB2.5-01P-1Y-00A(H) | | | |
| | CHKD: | TITLE: CUSTOMER DRAWING | | REV | D0 |
| | DRFT: | DRAWING NO.: | | SHEET | 1/1 |
| THIRD ANGLE PROJECTION | | MM (INCH) | DO NOT SCALE DRAWING | SCALE | 1:1 |