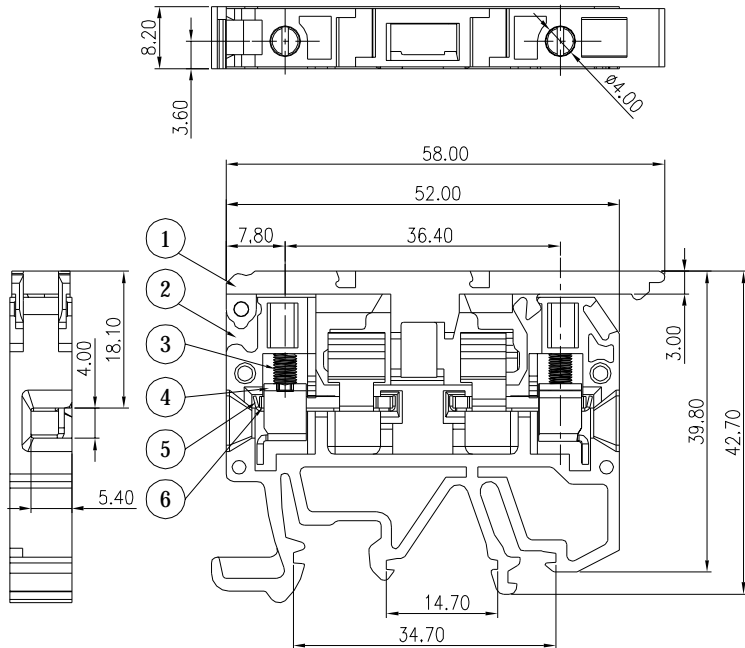
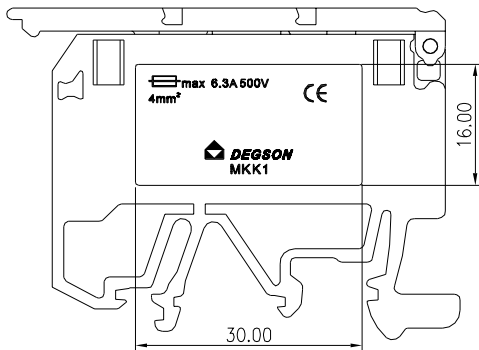


Notes:

- Rated voltage/current:UL1059 300V/6.3A
IEC 500V/6.3A
- Operation temperatures:-40° ~+105°
- Withstanding Voltage:AC3000V/1Min
- Insulation Resistance:5000MΩ/DC1000V
- Wire Range:16~12AWG, 4mm²
- Max. Torque Value:M3.0, 5.1kgf.cm
- Undimensioned Tolerances:

Pitch range in mm		Nominal dimension range in mm					
	over 6 to 10	over 10 to 24	over 30 to 60	over 60 to 100	over 100 to 150	over 150	□
±0.10	±0.15	±0.25	±0.2	±0.3	±0.5	±0.7	±1.0



REVISION RECORD				
REV	ECO	DESCRIPTION	DRFT	DATE
△		工程变更	Zengy	12/15/09

1	MKK1-Fuse housing	6087D2801A(H)	1	PA66	UL94V-0																								
ITEM	NAME OF PART	NO. OF PART	QTY	MATERIAL	NOTES																								
<table border="1"> <tr> <td>MM (INCH)</td> <td>DATE 07/29/08*</td> <td>DATE</td> </tr> <tr> <td>CHWD</td> <td>DATE</td> <td>DATE</td> </tr> <tr> <td>WFO</td> <td>DATE</td> <td>DATE</td> </tr> <tr> <td>APPLY</td> <td>DATE</td> <td>DATE</td> </tr> <tr> <td colspan="3">MATERIAL :</td> </tr> <tr> <td colspan="3">G.E. :</td> </tr> <tr> <td colspan="3">FINISH :</td> </tr> <tr> <td colspan="3">THIRD ANGLE PROJECTION</td> </tr> </table>						MM (INCH)	DATE 07/29/08*	DATE	CHWD	DATE	DATE	WFO	DATE	DATE	APPLY	DATE	DATE	MATERIAL :			G.E. :			FINISH :			THIRD ANGLE PROJECTION		
MM (INCH)	DATE 07/29/08*	DATE																											
CHWD	DATE	DATE																											
WFO	DATE	DATE																											
APPLY	DATE	DATE																											
MATERIAL :																													
G.E. :																													
FINISH :																													
THIRD ANGLE PROJECTION																													
<p>DEGSON 宁波高正电子有限公司 DEGSON ELECTRONICS CO., LTD</p> <p>NAME MKK1-01P-18-01A(H)</p>																													
DRAWING NO. MKK1-E01				SIZE A3	REV T1																								
/PART NO.				12/15/09*																									
SCALE : 1:1			DD NOT SCALE DRAWING																										
SHEET 1			OF 1																										

6	MKK1-Bridge	6087B00020(H)	2	Steel	Cr ³⁺ Zn
5	MKK1-Clamp	6087B00010(H)	2	Phosphor bronze	Ni plated
4	MK4Q-Iron bage	X000001770(H)	2	Iron	Cr ³⁺ Zn
3	DG10HS" -"Screw	S000003000(H)	2	Steel	Cr ³⁺ Zn
2	MKK1-Housing	6087A2801A(H)	1	PA66	UL94V-0

