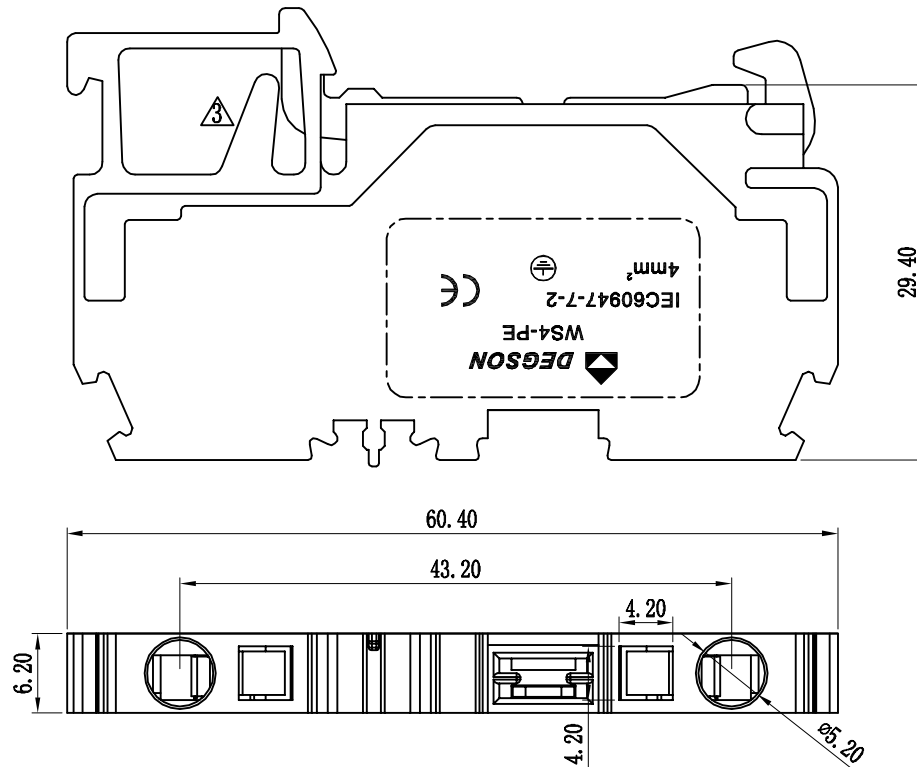


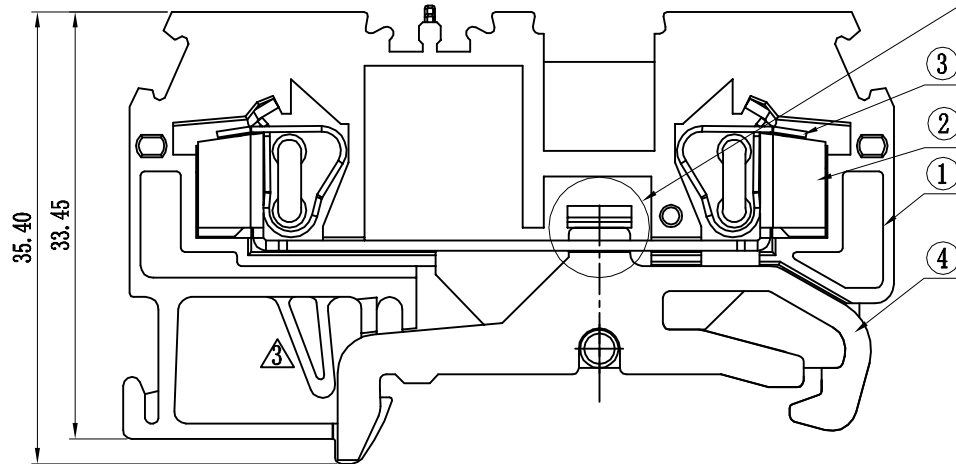
REVISION RECORD				
REV	ECO	DESCRIPTION	DRFT	DATE
△		图面变更	LJH	10/23/08*
△		修改品名料号中“Y”为“C”	LJH	04/06/09*
△		增加限位结构	CW	05/18/09*



Notes:

1. Operation temperatures: $-40^{\circ}\text{C} \sim +105^{\circ}\text{C}$
2. Withstanding Voltage: AC3000V/1Min
3. Insulation Resistance: $5000\text{M}\Omega / 1000\text{V}$
4. Wire Range: 28~12AWG, 4mm²
5. Undimensioned Tolerances:

Pitch range in mm		Nominal dimension range in mm						—
	over 6	over 10		over 30	over 60	over 100	over 150	⤿
to 6	to 10	to 24	to 30	to 60	to 100	to 150		▱
±0.10	±0.15	±0.25	±0.2	±0.3	±0.5	±0.7	±1.0	0.05/10



先将载流体与接地体铆接在一起, 后在铆接处用锡焊接.

ITEM	NAME OF PART	NO. OF PART	Q'TY	MATERIAL	NOTES
4	WS4-PE Ground contact	6033B00010 (H)	1	Phosphor bronze	SnCe
3	WS4 Shrapnel	X00000600 (H)	2	Stainless steel	
2	WS4 Current Carrier	X00000610 (H)	1	Copper	SnCe
1	WS4-PE Housing	6033A0C01A (H) △	1	PA66	UL94V-0

(INCH) TOLERANCES EXCEPT AS NOTED .0 ± .00 ± .000 ± ANGLES ± 1° THIRD ANGLE PROJECTION		DEPTO LJH CHED MPO APPVL MATERIAL : G. E : FINISH : SCALE : 1:1	DATE 03/11/08* DATE DATE DATE DATE DATE	DEGSON 宁波高正电子有限公司 DEGSON ELECTRONICS CO., LTD NAME (黄绿混色) △ WS4-PE-01P-1C-00A (H) DRAWING NO. WS4-PE-E01 /PART NO. SIZE A3 REV T3 05/18/09	DO NOT SCALE DRAWING SHEET 1 OF 1
--	--	--	--	--	--------------------------------------