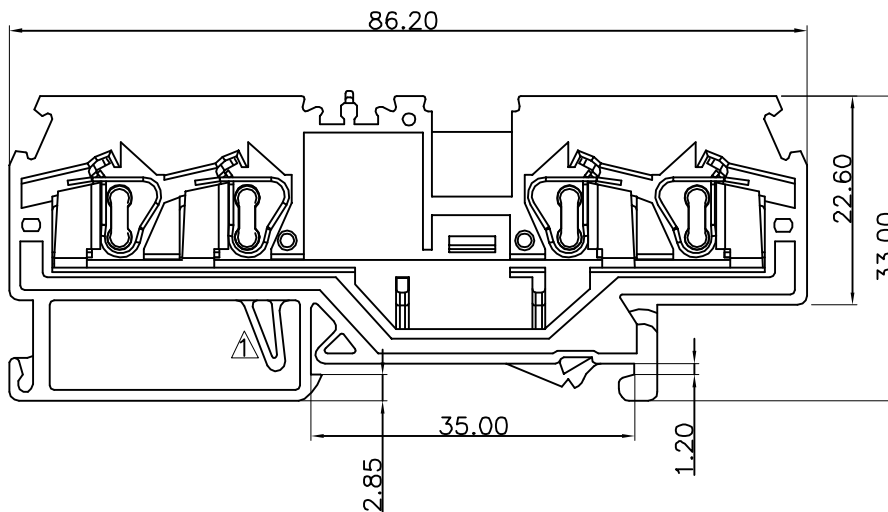
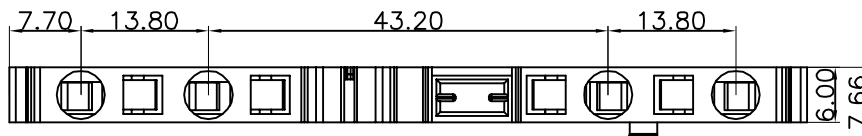
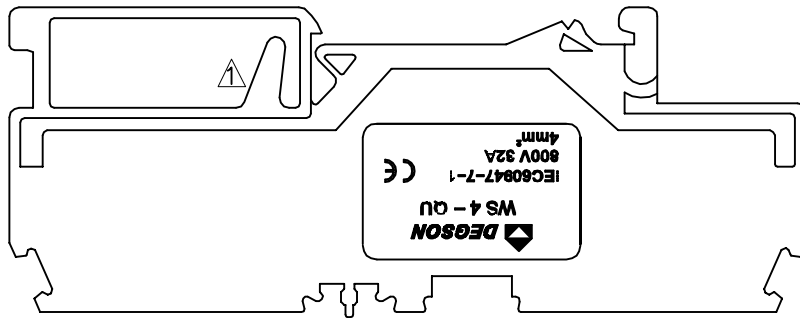


REVISION RECORD				
REV	ECO	DESCRIPTION	DRFT	DATE
△		加限位结构	CW	05/06/09
△		更新图面	CW	09/07/09



Notes:

- Rated voltage/current:UL 1059 600V/20A
IEC 800V/32A
- Operation temperatures:-40℃~+105℃
- Withstanding Voltage:AC3000V/1Min
- Insulation Resistance:5000MΩ/DC1000V
- Wire Range:28~12AWG, 4.0mm²
- Undimensioned Tolerances:

Pitch range in mm		Nominal dimension range in mm				—	
to	over	to	over	to	over	to	over
6	6	10	10	30	60	100	150
6	10	24	30	60	100	150	—
±0.10	±0.15	±0.25	±0.2	±0.3	±0.5	±0.7	±1.0
							0.05/10

3	WS 4-QU Carrier	6141B00010 (H)	1	copper	Sn plated
2	WS 4 Clamp	X000000600 (H)	4	Stainless steel	
1	WS 4-QU Housing	6141A0Y01A (H)	1	PA66	UL94V-0
ITEM	NAME OF PART	NO. OF PART	Q'TY	MATERIAL	NOTES

DIMENSIONED LISTS (INCH) TOLERANCES EXCEPT AS NOTED .0 ± .00 ± .000 ± ANGLES ± 1° THIRD ANGLE PROJECTION	DEPTO LINDA CHED MPO APPVL	DATE 02/14/08' DATE DATE DATE	宁波高正电子有限公司 DEGSON ELECTRONICS CO., LTD			
	MATERIAL : G. B : FINISH : SCALE : 1:1					NAME WS 4-QU-01P-1Y-00A (H)
	DRAWING NO. WS 4-QU-E01 /PART NO.		SIZE A3 REV T2 09/07/09	DO NOT SCALE DRAWING		
	SHEET 1 OF 1					