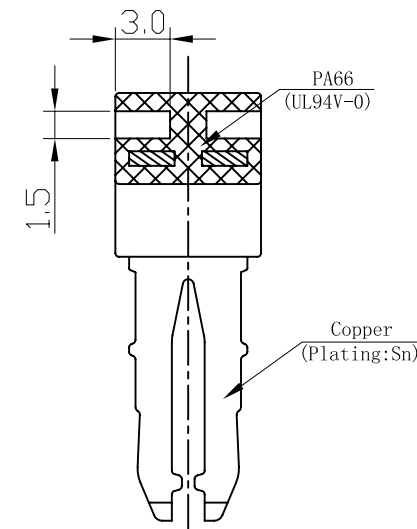
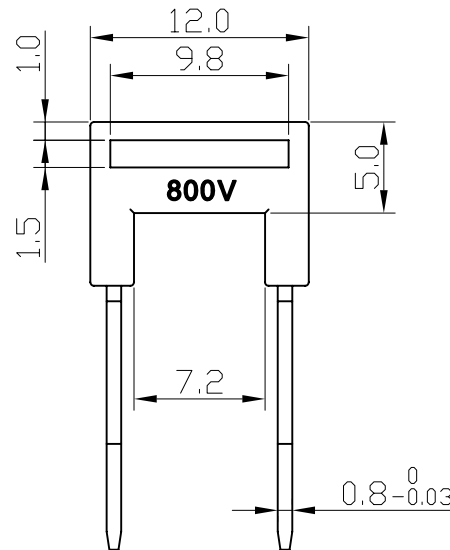
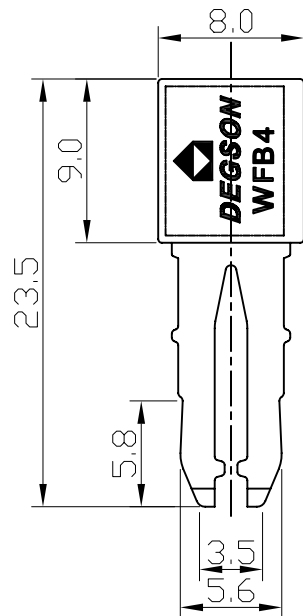
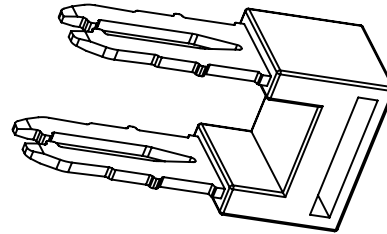
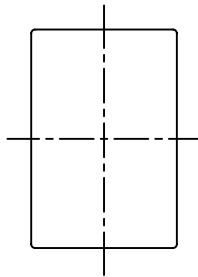


REVISION RECORD				
REV	ECD	DESCRIPTION	DRFT	DATE

Notes:

- Rated voltage/current:UL 1059 600V/65A  
IEC 800V/76A
- Operation temperatures:-40°C~+105°C
- Undimensioned Tolerances:

Pitch range in mm		Nominal dimension range in mm						—
to	over	to	over	to	over	to	over	—
6	6	10	10	30	60	100	150	∩
6	10	24	30	60	100	150	150	□
±0.10	±0.15	±0.25	±0.2	±0.3	±0.5	±0.7	±1.0	0.05/10



1	WFB4	6001LOY01C(H)	1		
ITEM	NAME OF PART	NO. OF PART	Q'TY	MATERIAL	NOTES
DETACHED LISTS	MM (INCH)	DFTD HXG	DATE 04/23/09'	宁波高正电子有限公司 DEGSON ELECTRONICS CO., LTD NAME WFB4-01P-1Y-00A(H) DRAWING NO. WFB4-E01 /PART NO.	
	TOLERANCES EXCEPT AS NOTED	CHKD	DATE		
	MM	MFD	DATE		
	.0 ±	APPVL	DATE		
.00 ±	MATERIAL :		SIZE A3		
.000 ±	G.E :		REV TO 06/28/11'		
ANGLES ± 1°	FINISH:		SHEET 1 OF 1		
THIRD ANGLE PROJECTION	SCALE : 1:1		DO NOT SCALE DRAWING		