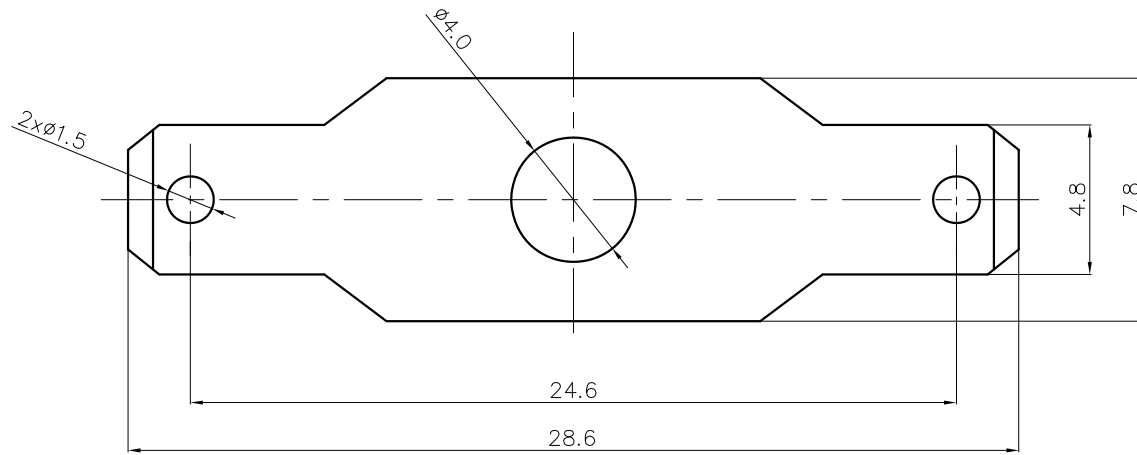


REVISION RECORD

| REV | ECN | DESCRIPTION | DRFT | DATE |
|-----|-----|-------------|------|------|
|-----|-----|-------------|------|------|

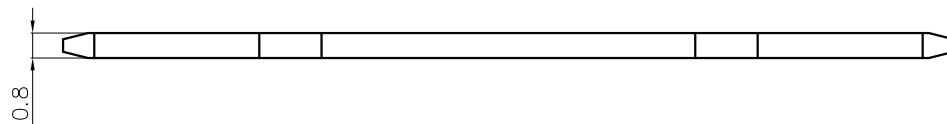
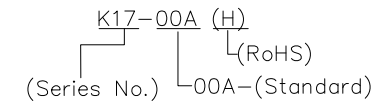


NOTES:

- 1.Dimension shall be interpreted per ASME Y14.5-2009
- 2.Undimensioned tolerances:

| Pitch range in mm | Nominal dimension range in mm |               |               |                |                 |            | -   $\cap$   $\nabla$ |          |
|-------------------|-------------------------------|---------------|---------------|----------------|-----------------|------------|-----------------------|----------|
|                   | Over 6 TO 10                  | Over 10 TO 24 | Over 30 TO 60 | Over 60 TO 100 | Over 100 TO 150 | Over 150   |                       |          |
| $\pm 0.15$        | $\pm 0.20$                    | $\pm 0.30$    | $\pm 0.30$    | $\pm 0.50$     | $\pm 0.70$      | $\pm 1.00$ | $\pm 1.30$            | $\pm 2'$ |

3.RoHS Compliance



|                        |           |              |  |                      |  |   |                  |            |     |
|------------------------|-----------|--------------|--|----------------------|--|---|------------------|------------|-----|
| DETACHED LISTS         | PART NO.: | /            |  |                      |  | 宁波高松电子有限公司<br>NINGBO DEGSON ELECTRICAL CO., LTD |                  |            |     |
|                        | APPD:     | /            |  |                      |  |   | NAME:            | K17-00A(H) |     |
|                        | CHKD:     | /            |  |                      |  | TITLE:  | CUSTOMER DRAWING | REV        | DO  |
|                        | DRFT:     | /            |  |                      |  | DRAWING NO.:                                    | /                | SHEET      | 1/1 |
| THIRD ANGLE PROJECTION |           | MM<br>(INCH) |  | DO NOT SCALE DRAWING |  | SCALE   | 1:1              |            |     |