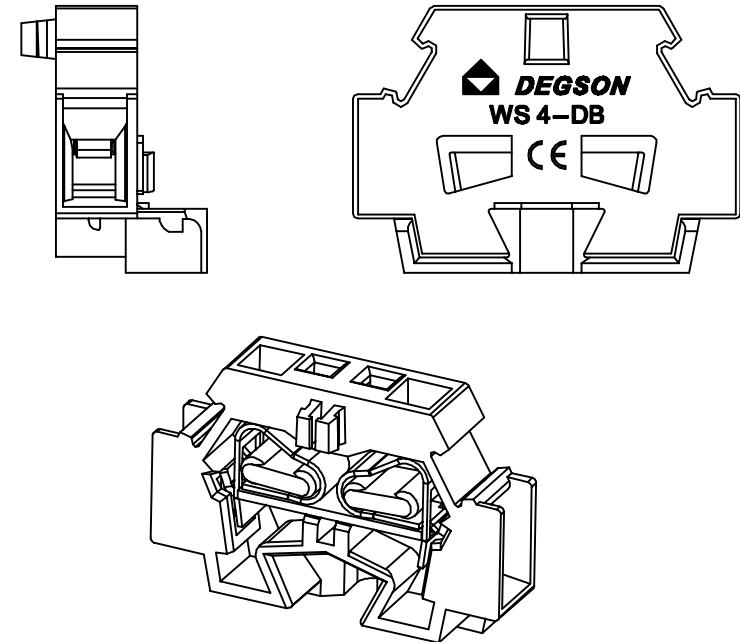
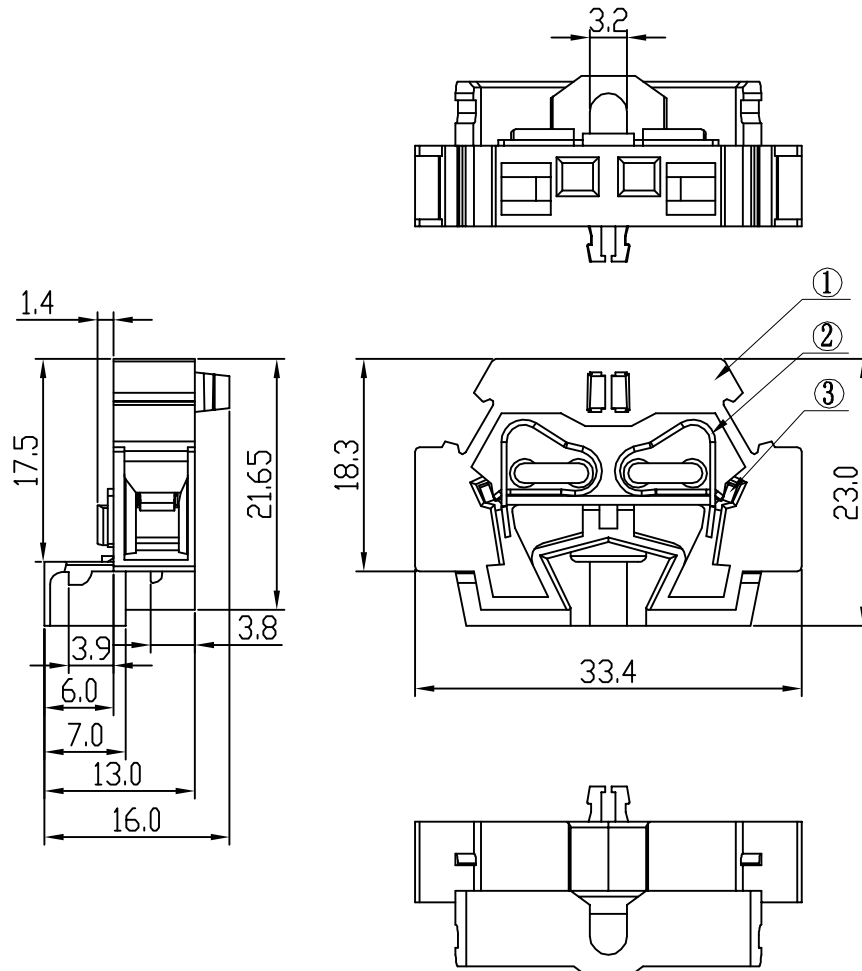


REVISION RECORD				
REV	ECD	DESCRIPTION	DRFT	DATE



Notes:

- Rated voltage/current:UL1059 300V/20A
IEC 630V/32A
- Operation temperatures:-40°C~+105°C
- Withstanding Voltage:AC2500V/1min
- Insulation Resistance:5000MΩ/DC1000V
- Wire Range:28~12AWG, 4mm²
- Undimensioned Tolerances:

Pitch range in mm			Nominal dimension range in mm					
to	over	over	to	over	over	over	over	
6	10	24	30	60	100	150		□
±0.10	±0.15	±0.25	±0.2	±0.3	±0.5	±0.7	±1.0	a05/10

ITEM	NAME OF PART	NO. OF PART	Q'TY	MATERIAL	NOTES
3	WS 4-DB-Current-Carrier	6154B00010 (H)	1	Copper	SnCe
2	WS 4-Shrapnel	X000000600 (H)	2	Stainless steel	
1	WS 4-DB-Housing	6154A0Y01A (H)	1	PA66	UL94V-0

DETACHED LISTS	MM (INCH)	DFTD Yangys	DATE 10/23/08*
	TOLERANCES EXCEPT AS NOTED	CHKD	DATE
		MFD	DATE
		APPVL	DATE
MM	±	MATERIAL :	
.0 ±	±	ANGLES ± 1°	
.00 ±	±	G.E :	
.000 ±	±	FINISH:	
THIRD ANGLE PROJECTION	SCALE : 1:1	DRAWING NO. WS 4-DB-E01	
DO NOT SCALE DRAWING		SIZE A3	
SHEET 1		REV TO 10/23/08*	
OF 1			

宁波高正电子有限公司
 DEGSON ELECTRONICS CO., LTD

NAME
 WS 4-DB-01P-1Y-00A (H)