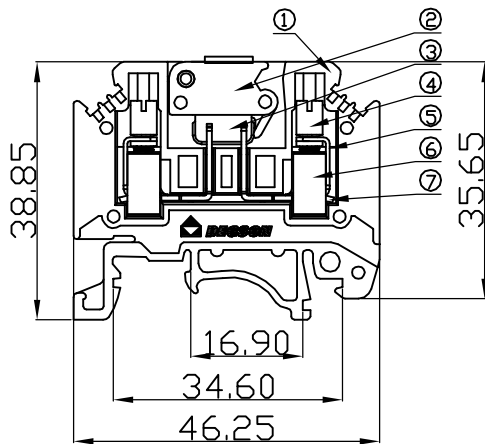
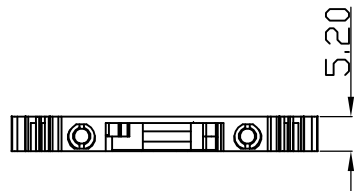
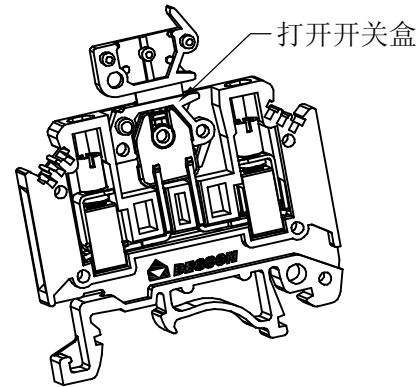
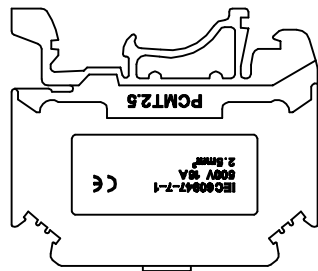


REVISION RECORD				
REV	ECD	DESCRIPTION	DRFT	DATE



Notes:

1. Rated voltage/current: UL1059 300V/10A
IEC 500V/16A
2. Operation temperatures: -40°C ~ +105°C
3. Withstanding Voltage: AC3000V/1Min
4. Insulation Resistance: 5000MΩ / DC1000V
5. Wire Range: 24~14AWG, 2.5mm²
6. Max. Torque Value: M3.0, 5.10Kgf.cm
7. Undimensioned Tolerances:

Pitch range in mm			Nominal dimension range in mm					—
to 6	over 6 to 10	over 10 to 24	to 30	over 30 to 60	over 60 to 100	over 100 to 150	over 150	∩ ◇
±0.10	±0.15	±0.25	±0.2	±0.3	±0.5	±0.7	±1	0.05/10

7	PCMT2.5-Clamp	6145B00020(H)	2	Phosphor Bronze	Ni Plated
6	PCMT2.5-Brass Cage	X000002070(H)	2	Brass	Ni Plated
5	PCMT2.5-Spring	6145B00010(H)	2	Brass	Ni Plated
4	PCMT2.5 M3"-Screw	S000002990(H)	2	Brass	Ni Plated
3	PCMT4-Kinfe switch	6146B00020(H)	1	Brass	SnCe Plated
2	PCMT4-Kinfe box	6146D1501A(H)	1	PA66	UL94V-0

ITEM	NAME OF PART	NO. OF PART	Q'TY	MATERIAL	NOTES
1	PCMT2.5-Housing	6145A0Y01A(H)	1	PA66	UL94V-0
TOLERANCES EXCEPT AS NOTED		DFTD ZYH	DATE 01/11/08'	宁波高正电子有限公司 DEGSON ELECTRONICS CO., LTD NAME: PCMT2.5-01P-1Y-00A(H)	
MM (INCH)		CHKD	DATE		
.0 ±		MFD	DATE		
.00 ±		APPVL	DATE		
ANGLES ± 1°		G.E :		DRAWING NO. PCMT2.5-E01	
THIRD ANGLE PROJECTION		FINISH:		/PART NO.	
SCALE :		DO NOT SCALE DRAWING		SHEET 1 OF 1	