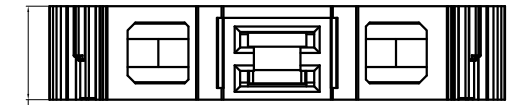
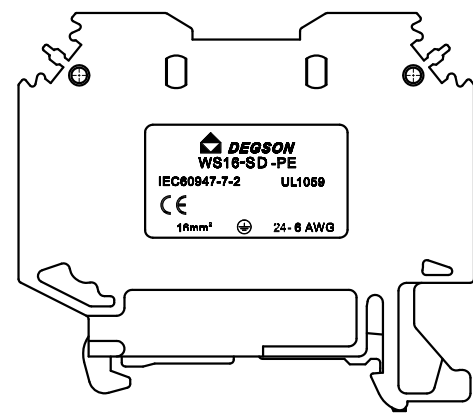
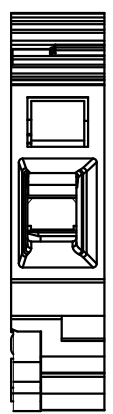
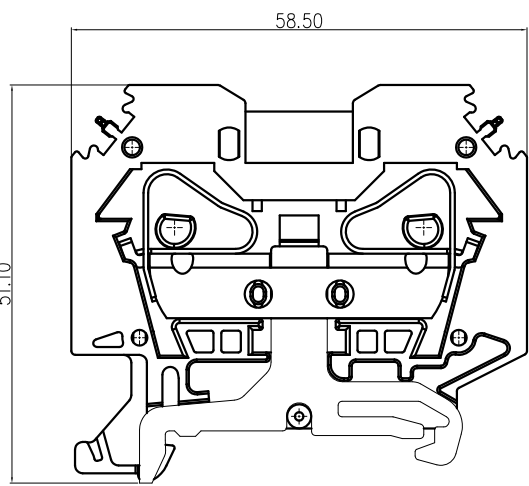


REVISION RECORD				
REV	ECN	DESCRIPTION	DRFT	DATE



12.00



NOTES1:

UL Standard
1.Wire range : 24~6AWG

IEC Standard

1. Pollution Degree	3
Overvoltage Category	III
Rate Impulse Voltage(KV)	8.0KV
Rate Voltage(V)	/
Rate Current(A)	/

2.Wire range : 0.2~16mm²

NOTES2:

- 1.Dimension shall be interpreted per ASME Y14.5-2009
- 2.Pitch : 12.0mm, Poles : N=01P
- 3.Stripping length : 16~17mm
- 4.Operating temperature: -40°C~+105°C
- 5.Undimensioned tolerances:

Pitch range in mm		Nominal dimension range in mm				0.1/10	
TO	TO	TO	TO	TO	TO		
6	10	6	10	30	60	100	150
±0.15	±0.20	±0.30	±0.30	±0.50	±0.70	±1.00	±1.30

6.RoHS Compliance

WS16-SD-PE - 01P - 1C - 00A (H)
 (Series No.) (Poles) (Single Pitch) (Color):Yellow-Green
 (RoHS)
 00A-(Standard)

DETACHED LISTS	PART NO.:	/	宁波高松电子有限公司 NINGBO DEGSON ELECTRICAL CO., LTD		
	APPD:	/	NAME: WS16-SD-PE-01P-1C-00A(H)		
	CHKD:	/	TITLE: CUSTOMER DRAWING		
	DRFT:	/	REV	DO	
			DRAWING NO.:	/	SHEET
		MM (INCH)	DO NOT SCALE DRAWING	SCALE	1:1