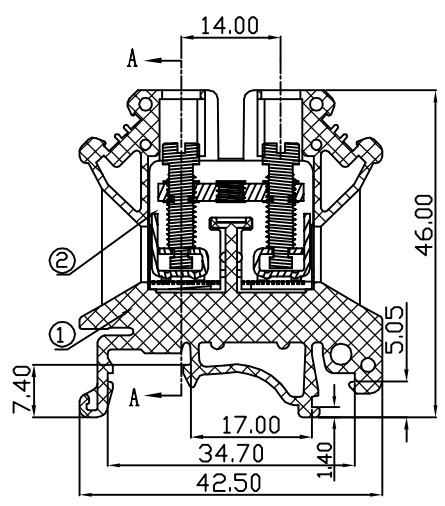
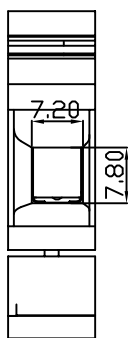
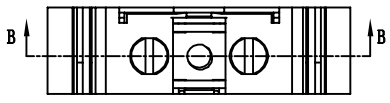


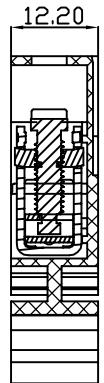
REVISION RECORD				
REV	ECD	DESCRIPTION	DRFT	DATE

- Notes:
- Rated current/voltage:UL1059 600V/85A
IEC 800V/76A
 - Operation temperatures:-40° C~+105° C
 - Withstanding Voltage: AC3000V/1Min
 - Insulation Resistance:5000MΩ/DC1000V
 - Wire Range: 12~4AWG, 0.2~16mm²
 - Max. Torque Value:M4, 12.24kgf.cm
 - Undimensioned Tolerances:

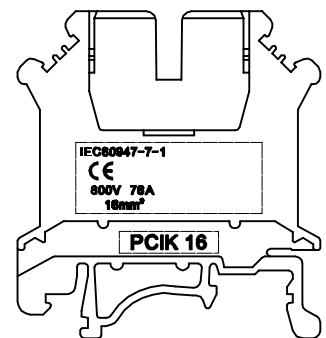
Pitch range in mm		Nominal dimension range in mm				
over 6 to 10	over 10 to 24	over 30 to 60	over 60 to 100	over 100 to 150	over 150	
±0.10	±0.15	±0.25	±0.2	±0.3	±0.5	
±0.7	±1.0	±0.05	±1.0	±0.05	±1.0	



SECTION B-B



SECTION A-A



2	PCIK 16 Hardware	6170R00010(H)	1	Brass	Ni plated
---	------------------	---------------	---	-------	-----------

1	PCIK 16 Housing	6170A0Y01A(H)	1	PA66	UL94V-0
ITEM	NAME OF PART	NO. OF PART	Q'TY	MATERIAL	NOTES
TOLERANCES EXCEPT AS NOTED: MM ± .05 ± .005 ±	DATE 10/04/06'	DATE	DATE	DATE	DATE
	DRG	DATE	DATE	DATE	DATE
	APPVL	DATE	DATE	DATE	DATE
	MATERIAL	DATE	DATE	DATE	DATE
NAME	PCIK 16-01P-1Y-00A(H)				SIZE A3
DRAWING NO.	PCIK 16-E01			REVISION TO	01/04/06'
THIRD ANGLE PROJECTION			SCALE: 1:1	DD NOT SCALE DRAWING	
SHEET 1			OF 1		

宁波高正电子有限公司
 DEGSON ELECTRONICS CO., LTD
 NAME: PCIK 16-01P-1Y-00A(H)
 DRAWING NO. PCIK 16-E01
 /PART NO.
 DD NOT SCALE DRAWING
 SHEET 1 OF 1