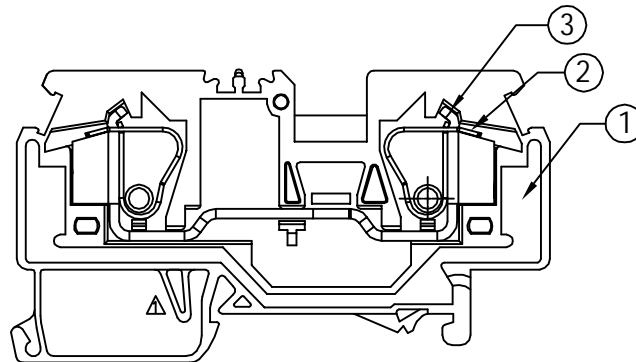
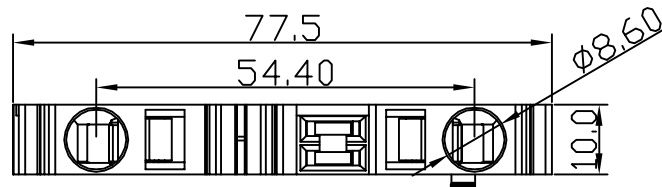
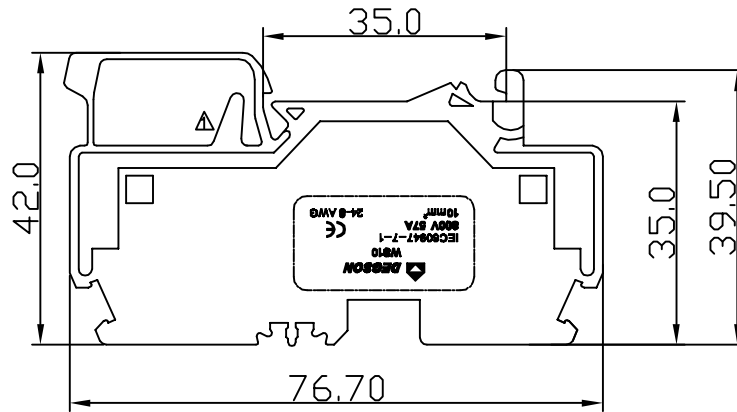


REVISION RECORD				
REV	ECD	DESCRIPTION	DRFT	DATE
A		加限位结构	CW	05/06/09



Notes:

1. Thickness: 10.0mm
2. Rated Voltage/current: UL1059: 600V/50A
IEC: 800V/57A
3. Operation temperatures: -40° C ~ +105° C
4. Withstanding Voltage: AC3000V/1Min
5. Insulation Resistance: 5000MΩ/1000V
6. Wire Range: 24~8AWG 10mm²
7. Undimensioned Tolerances:

Pitch range in mm		Nominal dimension range in mm						
to 6	over 6 to 10	over 10 to 24	to 30	over 30 to 60	over 60 to 100	over 100 to 150	∩	
±0.10	±0.15	±0.25	±0.2	±0.3	±0.5	±0.7	±1.0	0.05/10

3	WS10-Current carrier	6029B00010(H)	1	Copper	SnCe
2	WS10-Shrapnel	X000001860(H)	2	Stainlee steel	
1	WS10-Housing	6029A0Y01A(H)	1	PA66	UL94V-0
ITEM	NAME OF PART	NO. OF PART	Q'TY	MATERIAL	NOTES

DETACHED LISTS	MM (INCH)	DF TO LIN	DATE 10/19/06*	宁波高正电子有限公司 DEGSON ELECTRONICS CO., LTD	
	TOLERANCES EXCEPT AS NOTED	CHKD	DATE		
	MM	MFD	DATE	NAME WS10-01P-1Y-00A(H)	
	.0 ±	APPVL	DATE		
	.00 ±	MATERIAL :		DRAWING NO. WS10-E01	SIZE A3
.000 ±	ANGLES ± 1°		/PART NO.	05/18/09	
THIRD ANGLE PROJECTION		G.E :	SCALE :	DO NOT SCALE DRAWING	SHEET 1 OF 1