

REVISION RECORD

REV	ECN	DESCRIPTION	DRFT	DATE
-----	-----	-------------	------	------

NOTES1:

UL Standard

1. Rated voltage/current : 600V / 30A
2. Withstanding voltage : AC2200V/1Min.
3. Torque value : M3 , 4.43Lb.in
4. Wire range : 24~10AWG

IEC Standard

1. Pollution degree	3
Overvoltage category	III
Rate impulse voltage(KV)	8KV
Rate voltage(V)	800V
Rate current(A)	32A

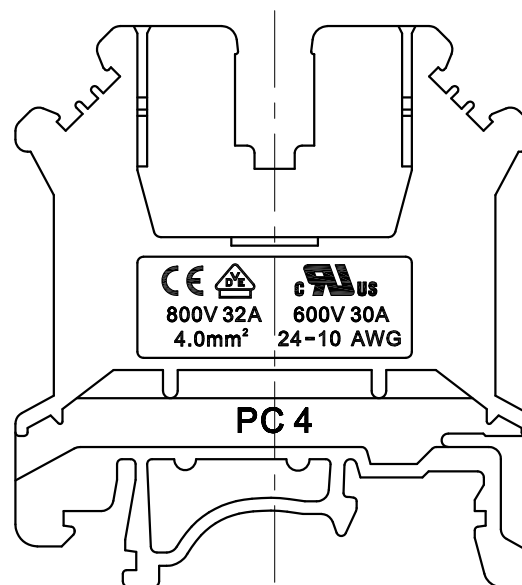
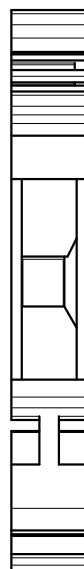
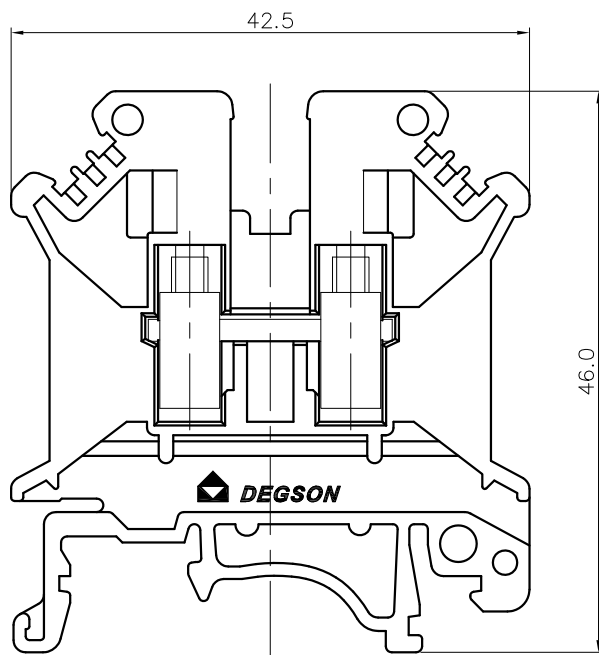
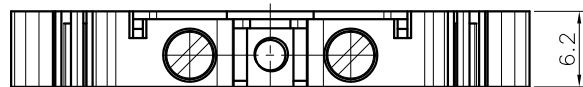
2. Torque value : M3 , 0.5N·m
3. Wire range : 0.2~4mm²

NOTES2:

1. Dimension shall be interpreted per ASME Y14.5-2009
2. Pitch : 6.2mm, Poles : N=01P
3. Stripping length : 7~8mm
4. Operating temperature: -40°C~+105°C
5. Undimensioned tolerances:

Pitch Range In mm	Nominal Dimension Range In mm						0.1/10
	Over 6 TO 10	Over 10 TO 24	Over 30 TO 30	Over 60 TO 60	Over 100 TO 150	Over 150	
±0.15	±0.20	±0.30	±0.30	±0.50	±0.70	±1.00	±2'

6. RoHS Compliance



PC4 - 01P - 1Y - 00A (H)

(Series No.) (Poles) (Single Pitch) (Color):

- 1.(Grey)
- 2.(Blue)
- 3.(Black)
- 4.(Green)
- 5.(Orange)
- 6.(Red)
- 7.(Transparent)
- 8.(Yellow)
- 9.(White)

(RoHS)
00A-(Standard)

DETACHED LISTS	PART NO.:	NINGBO DEGSON ELECTRICAL CO., LTD			
	APPD:	NAME: PC4-01P-1Y-00A(H)			
	CHKD:	TITLE: CUSTOMER DRAWING			
	DRFT:	REV		DO	
	DRAWING NO.:		SHEET		1/1
THIRD ANGLE PROJECTION		SCALE		1:1	

DO NOT SCALE DRAWING