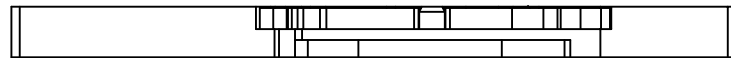
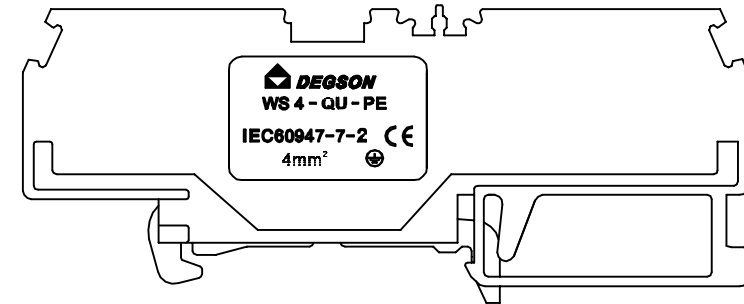
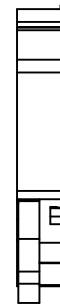
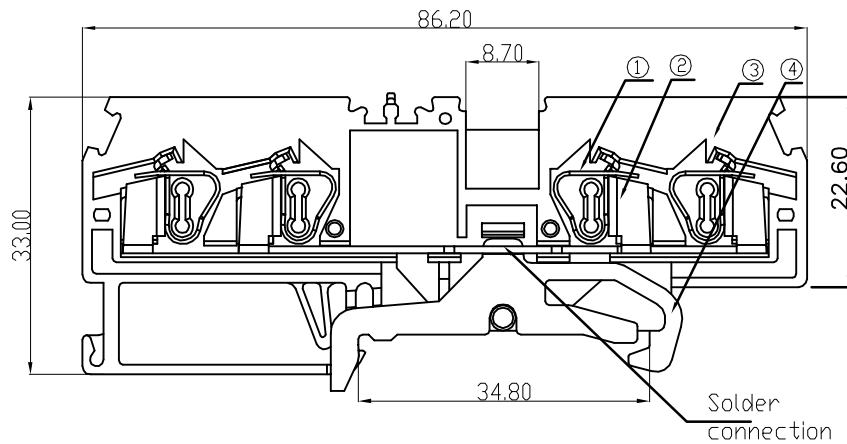
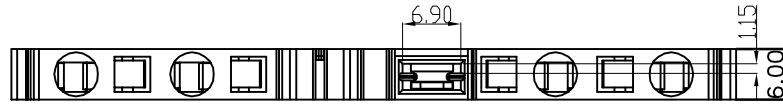


REVISION RECORD				
REV	ECD	DESCRIPTION	DRFT	DATE

Notes:

1. Operation temperatures: -40°C ~ +105°C
2. Withstanding Voltage: AC3000V/1Min
3. Insulation Resistance: 5000MΩ / DC1000V
4. Wire Range: 28~12AWG, 4.0mm²
5. Undimensioned Tolerances:

Pitch range in mm		Nominal dimension range in mm						—
to 6	over 6 to 10	over 10 to 24	to 30	over 30 to 60	over 60 to 100	over 100 to 150	over 150	
±0.10	±0.15	±0.25	±0.2	±0.3	±0.5	±0.7	±1.0	
							0.05/10	



4	WS4-PE Ground Pin	6033B00010 (H)	1	copper	Sn plated		
3	WS4 Clamp	X000000600 (H)	4	Stainless steel			
2	WS4-QU Carrier	6141B00010 (H)	1	copper	Sn plated		
1	WS4-QU-PE Housing	6144A0C01A (H)	1	PA66	UL94V-0		
ITEM	NAME OF PART	NO. OF PART	Q'TY	MATERIAL	NOTES		
DETACHED LISTS	MM (INCH)	DF TO LINDA	DATE 08/13/08"	宁波高正电子有限公司 DEGSON ELECTRONICS CO., LTD NAME WS4-QU-PE-01P-1C-00A (H) DRAWING NO. WS4-QU-PE-E01 SIZE A3 REV TO 06/28/10 /PART NO. DO NOT SCALE DRAWING SHEET 1 OF			
	TOLERANCES EXCEPT AS NOTED		CHKD			DATE	
	MM	±	MFD			DATE	
	.0 ±	±	APPVL			DATE	
	.00 ±	±	MATERIAL :				
	.000 ±	±	G.E :				
	ANGLES ± 1°	FINISH:				SCALE : 1:1	
		THIRD ANGLE PROJECTION					