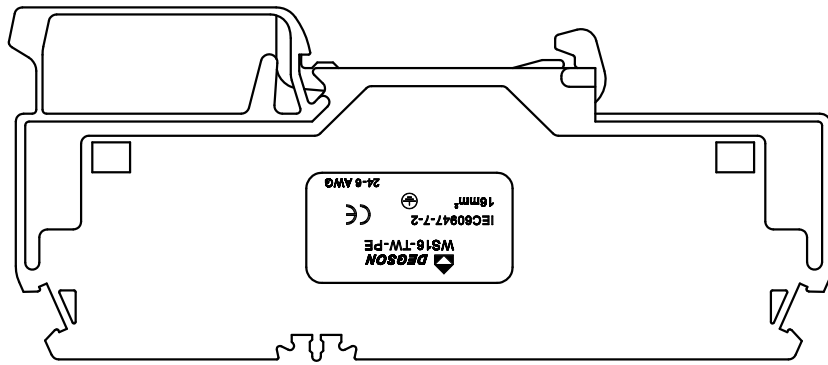


| REVISION RECORD | | | | |
|-----------------|-----|-------------|------|------|
| REV | ECN | DESCRIPTION | DRFT | DATE |
| | | | | |



NOTES1:
 UL Standard
 1.Wire range : 24~6AWG

IEC Standard

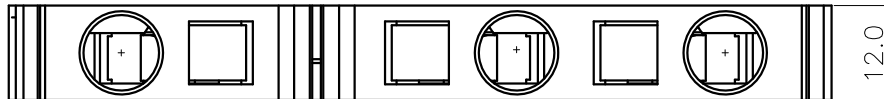
1.

| | |
|--------------------------|-------|
| Pollution degree | 3 |
| Overtoltage category | III |
| Rate impulse voltage(KV) | 8.0KV |
| Rate voltage(V) | / V |
| Rate current(A) | / A |

2.Wire range : 0.5~16mm²

NOTES2:
 1.Dimension shall be interpreted per ASME Y14.5-2009
 2.Pitch : 12.0mm, Poles : 01P
 3.Stripping length : 16~17mm
 4.Operating temperature: -40°C~+105°C
 5.Undimensioned tolerances:

| Pitch range in mm | | Nominal dimension range in mm | | | | - | ∩ | ∇ | |
|-------------------|---------|-------------------------------|----------|-----------|------------|--------|-------|-------|-----|
| TO | Over | Over | Over | Over | Over | 0.1/10 | | | |
| 6 | 6 TO 10 | 10 TO 24 | 30 TO 60 | 60 TO 100 | 100 TO 150 | < | | | |
| | ±0.15 | ±0.20 | ±0.30 | ±0.30 | ±0.50 | ±0.70 | ±1.00 | ±1.30 | ±2' |

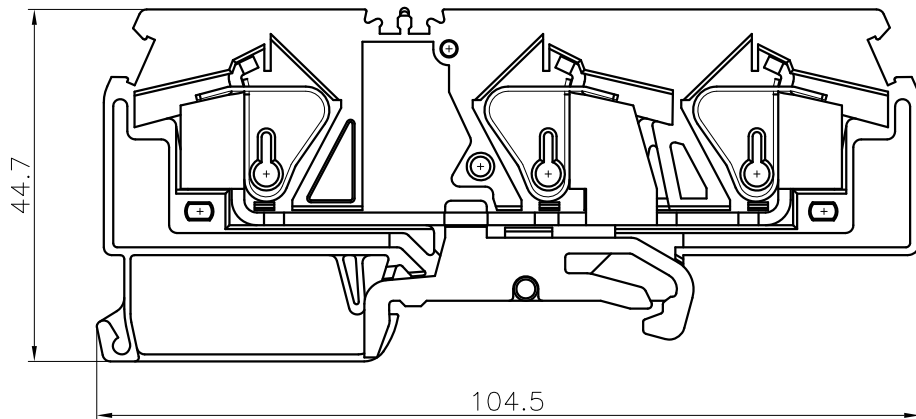


6.RoHS Compliance

WS16-TW-PE - 01P - 1Y - 00A (H)

(Series No.) (Poles) (Single Pitch) (Color):1.(Grey)
 2.(Blue)
 3.(Black)
 4.(Green)
 5.(Orange)
 6.(Red)
 7.(Transparent)
 8.(Yellow)
 9.(White)

(RoHS)
 00A-(Standard)



| | | | | | |
|------------------------|-----------|---|-------|-----|----|
| DETACHED LISTS | PART NO.: | 宁波高松电子有限公司 NINGBO DEGSON ELECTRICAL CO., LTD | | | |
| | APPD: | NAME: WS16-TW-PE-01P-1Y-00A(H) | | | |
| | CHKD: | TITLE: CUSTOMER DRAWING | | | |
| | DRFT: | DRAWING NO.: | | REV | DO |
| THIRD ANGLE PROJECTION | | DO NOT SCALE DRAWING | SHEET | 1/1 | |
| | | MM (INCH) | SCALE | 1:1 | |