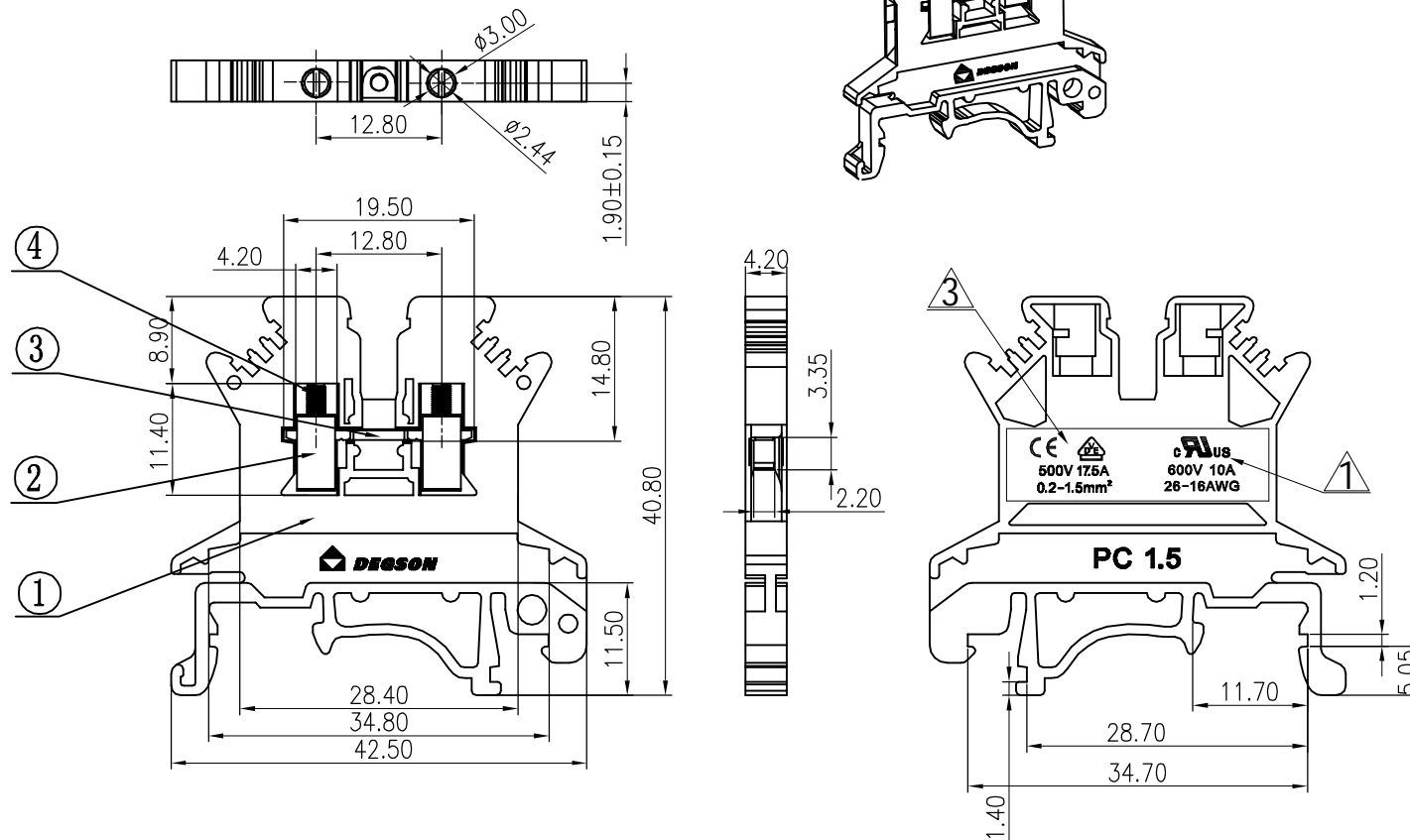


REVISION RECORD				
REV	ECO	DESCRIPTION	DRFT	DATE
△		增加UL刻字	CSX	08/07/07
△		品名、料号增加环保标示“(H)”	LJH	12/10/07
△		增加VDE刻字及参数	WLM	07/21/08
△		载流体依实物修改为镀锌铸	WLM	02/19/09



Notes:

- Rated Voltage/Current:UL 600V/10A
VDE 500V/17.5A
- Operation temperatures:-40° C ~+105° C
- Withstanding Voltage:AC3000V/1Min
- Insulation Resistance:5000MΩ/DC1000V
- Wire Range:26~16AWG, 0.2~1.5mm²
- Max Torque Value:M2, 2.04kgf.cm
- Undimensioned Tolerances:

Pitch range in mm			Nominal dimension range in mm					
	over 6	over 10		over 30	over 60	over 100	over 150	⌒
to 6	to 10	to 24	to 30	to 60	to 100	to 150		▭
±0.10	±0.15	±0.25	±0.2	±0.3	±0.5	±0.7	±1.0	0.05/10

4	PC 1.5-Screws	S000001600(H)	2	Brass	Ni Plated
3	PC 1.5-Current Carrier	6020B00010(H)	1	Copper	△SnCe Plater
2	PC 1.5-Brass Cage	X000001080(H)	2	Brass	Ni Plated
1	PC1.5 Housing	6020A0Y01A(H)	1	PA66	UL94V-0
ITEM	NAME OF PART	NO. OF PART	Q'TY	MATERIAL	NOTES
DETACHED LISTS	MM (INCH)	DFTO Zhuwm	DATE 05/20/06	宁波高正电子有限公司 DEGSON ELECTRONICS CO., LTD NAME: PC1.5-01P-1Y-00A(H) DRAWING NO. PC 1.5-E01 /PART NO. SIZE A3 REV T4 02/19/09	
	TOLERANCES EXCEPT AS NOTED	CHKD	DATE		
	MM	MFO	DATE		
	.0 ±	APPVL	DATE		
	.00 ±	MATERIAL :			
.000 ±	ANGLES ± 1°	G.E :			
	THIRD ANGLE PROJECTION	FINISH :			
	SCALE : 1:1	DO NOT SCALE DRAWING	SHEET 1 OF 1		