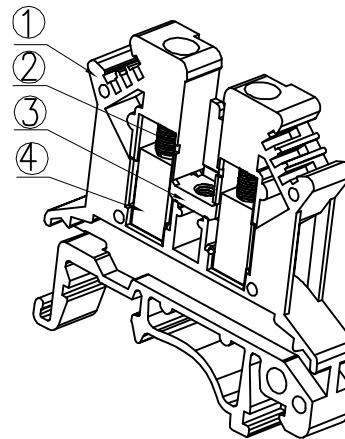
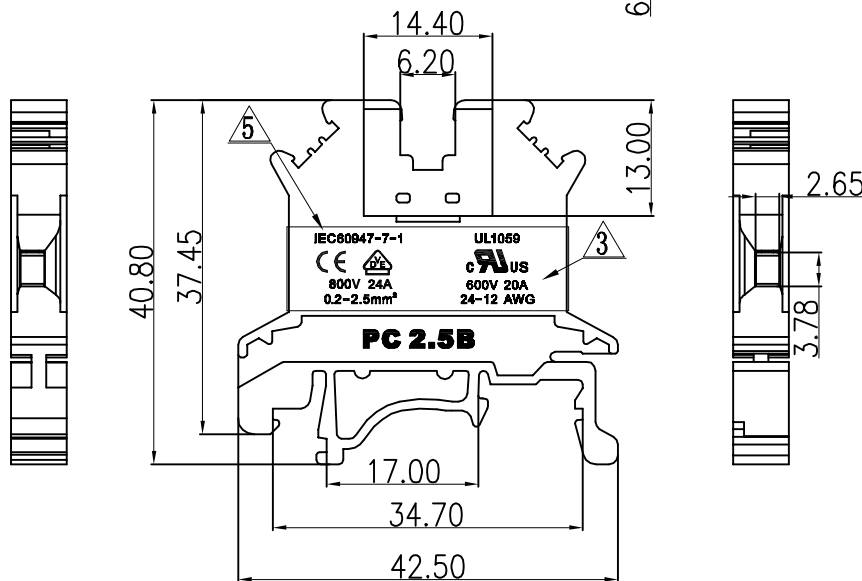
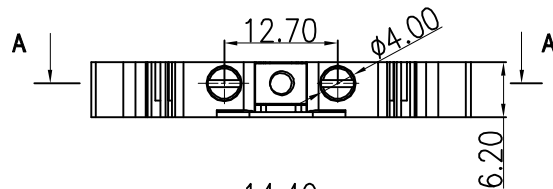
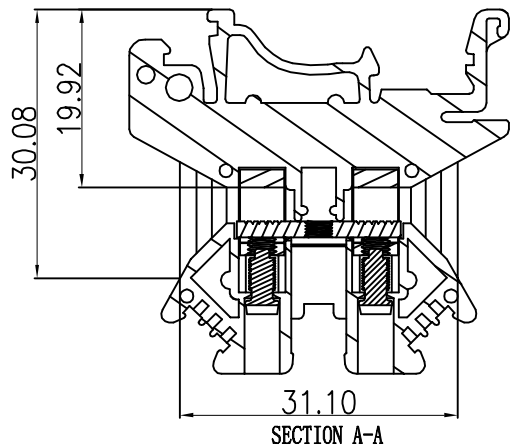


REVISION RECORD				
REV	ECO	DESCRIPTION	DRFT	DATE
△		品名变更	ExpsAny	06/02/06*
△		图面更新	HW	06/06/06*
△		增加UL刻字	CSX	03/31/07*
△		品名、料号增加环保标示“(0)”	LJH	12/10/07*
△		增加VDE刻字及参数	WLM	07/21/08*



Notes:

- Rated current/voltage:UL 600V/20A  
VDE 800V/24A
- Operation temperatures:-40° C~+105° C
- Withstanding Voltage: AC3000V/1Min
- Insulation Resistance:5000MΩ/DC1000V
- Wire Range:24~12AWG, 0.2~2.5mm<sup>2</sup>
- Max. Torque Value:M3. 0, 5. 1kgf. cm
- Undimensioned Tolerances:

	Pitch range in mm			Nominal dimension range in mm				—
	over 6 to 6	over 10 to 24	over 30 to 30	over 30 to 60	over 60 to 100	over 100 to 150	over 150	
±0.10	±0.15	±0.25	±0.2	±0.3	±0.5	±0.7	±1.0	0.05/10

4	PC 2.5B-Brass Cage	X000000810(H)	2	Brass	Ni Plated
3	PC 2.5B-Contact	6003B00010(H)	1	Copper	SnCe Plated
2	PC 2.5B-Screw	S000001100(H)	2	Brass	Ni Plated
1	PC 2.5B-Housing	6003A0Y01A(H)	1	PA66	UL94V-0

ITEM	NAME OF PART	NO. OF PART	Q'TY	MATERIAL	NOTES												
<table border="1"> <tr> <td>MM (INCH)</td> <td>DFTO ExpsAny</td> <td>DATE 03/10/05"</td> </tr> <tr> <td>TOLERANCES EXCEPT AS NOTED</td> <td>CHKD</td> <td>DATE</td> </tr> <tr> <td></td> <td>MFO</td> <td>DATE</td> </tr> <tr> <td></td> <td>APPVL</td> <td>DATE</td> </tr> </table>		MM (INCH)	DFTO ExpsAny	DATE 03/10/05"	TOLERANCES EXCEPT AS NOTED	CHKD	DATE		MFO	DATE		APPVL	DATE	宁波高正电子有限公司 DEGSON ELECTRONICS CO., LTD			
MM (INCH)	DFTO ExpsAny	DATE 03/10/05"															
TOLERANCES EXCEPT AS NOTED	CHKD	DATE															
	MFO	DATE															
	APPVL	DATE															
<table border="1"> <tr> <td>MM</td> <td>±</td> </tr> <tr> <td>.0 ±</td> <td>±</td> </tr> <tr> <td>.00 ±</td> <td>±</td> </tr> <tr> <td>.000 ±</td> <td>±</td> </tr> </table>		MM	±	.0 ±	±	.00 ±	±	.000 ±	±	NAME		PC 2.5B-01P-1Y-00A(H)					
MM	±																
.0 ±	±																
.00 ±	±																
.000 ±	±																
ANGLES ± 1°		G.E :		DRAWING NO. PC 2.5B-E01													
		FINISH :		SIZE A3													
THIRD ANGLE PROJECTION		SCALE : 1:1		REV 15 07/21/08*													
DO NOT SCALE DRAWING			SHEET 1 OF 1														