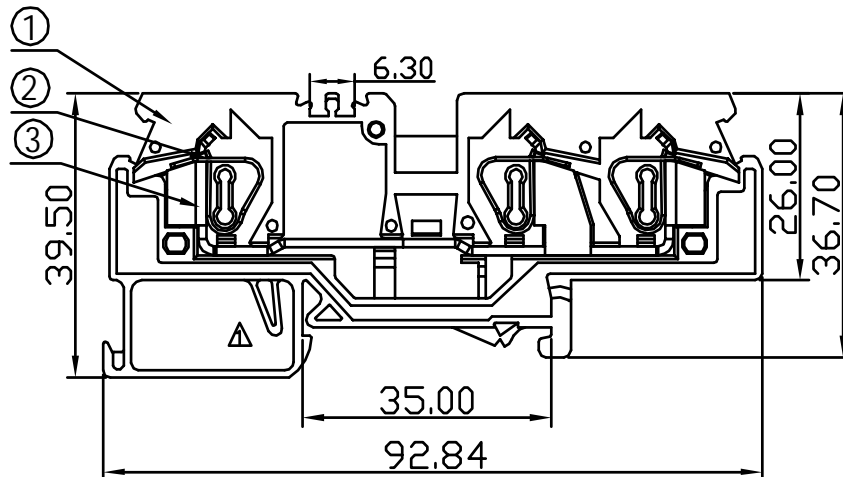
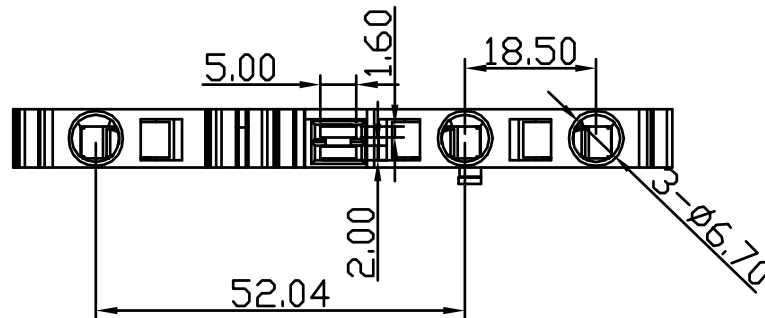


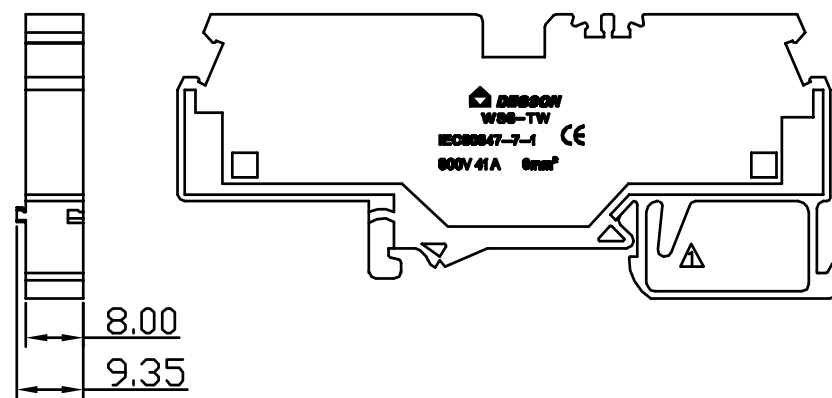
REVISION RECORD				
REV	ECD	DESCRIPTION	DRFT	DATE
△		加限位结构	CW	05/14/09

Notes:

- Rated voltage/current: UL1059 600V/30A
IEC 800V/41A
- Operation temperatures: -40° C~+105° C
- Withstanding Voltage: AC8000V/1Min
- Insulation Resistance: 5000MΩ /DC1000V
- Wire Range: 24~10AWG, 6mm²
- Undimentioned Tolerances:



Pitch range in mm		Nominal dimension range in mm					
to 6	over 6 to 10	over 10 to 24	to 30	over 30 to 60	over 60 to 100	over 100 to 150	—
±0.10	±0.15	±0.25	±0.2	±0.3	±0.5	±0.7	±1
							0.05/10



3	WS6-TW-Current Carrier	6132B00010(H)	1	Copper	
2	WS6-Shrapnel	X000001880(H)	2	Stainless steel	
1	WS6-TW-Housing	6132A0Y01A(H)	1	PA66	

ITEM	NAME OF PART	NO. OF PART	Q'TY	MATERIAL	NOTES																																													
<table border="1"> <tr> <td rowspan="4">DETACHED LISTS</td> <td>MM (INCH)</td> <td>DFTD L/YK</td> <td>DATE 12/10/07</td> <td colspan="2" rowspan="4"> 宁波高正电子有限公司 DEGSON ELECTRONICS CO., LTD </td> </tr> <tr> <td>TOLERANCES EXCEPT AS NOTED</td> <td>CHKD</td> <td>DATE</td> </tr> <tr> <td></td> <td>MFD</td> <td>DATE</td> </tr> <tr> <td></td> <td>APPVL</td> <td>DATE</td> </tr> <tr> <td></td> <td></td> <td colspan="2">MATERIAL :</td> <td colspan="2">NAME</td> </tr> <tr> <td></td> <td></td> <td colspan="2">G.E :</td> <td colspan="2">WS6-TW-01P-1Y-00A(H)</td> </tr> <tr> <td></td> <td></td> <td colspan="2">FINISH:</td> <td>DRAWING NO. WS6-TW-E01</td> <td>SIZE A3</td> </tr> <tr> <td></td> <td></td> <td colspan="2">SCALE : 1:1</td> <td>/PART NO.</td> <td>REV T1</td> </tr> <tr> <td colspan="4">DO NOT SCALE DRAWING</td> <td>SHEET 1</td> <td>OF 1</td> </tr> </table>						DETACHED LISTS	MM (INCH)	DFTD L/YK	DATE 12/10/07	宁波高正电子有限公司 DEGSON ELECTRONICS CO., LTD		TOLERANCES EXCEPT AS NOTED	CHKD	DATE		MFD	DATE		APPVL	DATE			MATERIAL :		NAME				G.E :		WS6-TW-01P-1Y-00A(H)				FINISH:		DRAWING NO. WS6-TW-E01	SIZE A3			SCALE : 1:1		/PART NO.	REV T1	DO NOT SCALE DRAWING				SHEET 1	OF 1
DETACHED LISTS	MM (INCH)	DFTD L/YK	DATE 12/10/07	宁波高正电子有限公司 DEGSON ELECTRONICS CO., LTD																																														
	TOLERANCES EXCEPT AS NOTED	CHKD	DATE																																															
		MFD	DATE																																															
		APPVL	DATE																																															
		MATERIAL :		NAME																																														
		G.E :		WS6-TW-01P-1Y-00A(H)																																														
		FINISH:		DRAWING NO. WS6-TW-E01	SIZE A3																																													
		SCALE : 1:1		/PART NO.	REV T1																																													
DO NOT SCALE DRAWING				SHEET 1	OF 1																																													