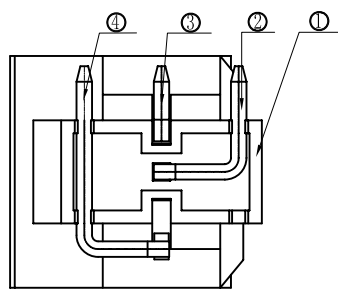
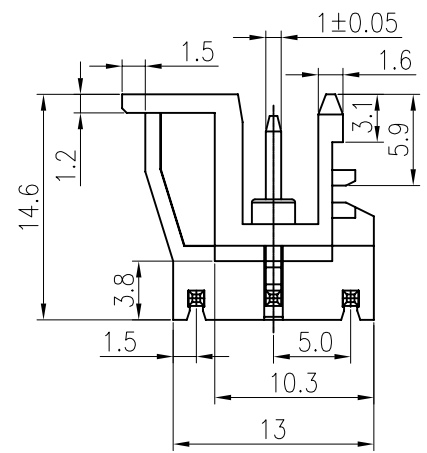
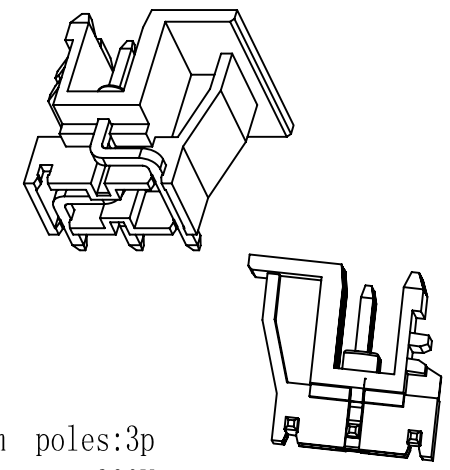
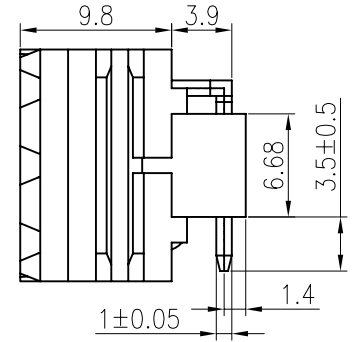
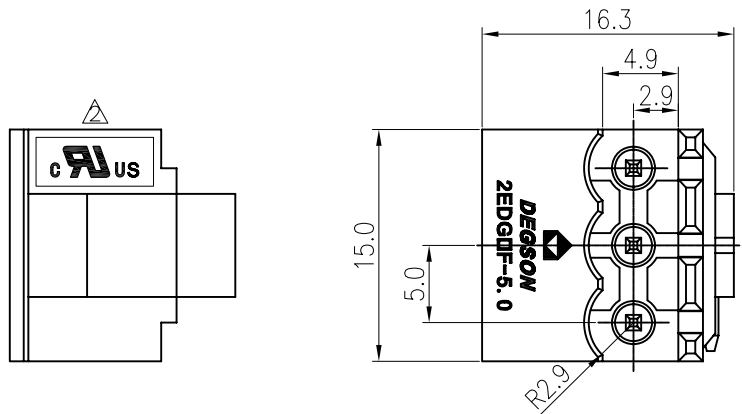


REVISION RECORD					
REV	ECO	DESCRIPTION	DRFT	DATE	
△		品名、料号增加环保标示“(H)”	LJH	12/11/07*	
△	11-017	增加以刻字	Jordan.Y	06/10/10*	



- Notes:
1. pitch: 5.0mm poles:3p
 2. Rated voltage: 300V
 3. Rated current: 15A
 4. Withstanding voltage: AC2000V/1min
 5. Insulation resistance:5000MΩ/DC1000V
 6. Temp. Range: -40° C~+105° C
 7. Undimensioned Tolerances:

Pitch range in mm		Nominal dimension range in mm						
	over 6	over 10		over 30	over 60	over 100	over 150	—
to 6	to 10	to 24	to 30	to 60	to 100	to 150		∩
±0.10	±0.15	±0.25	±0.2	±0.3	±0.5	±0.7	±1.0	0.05/10

4	2EDGLF-5.0 pin3	1090B00060 (H)	1	Brass	SnCe
3	2EDGRF-5.0 pin1	1090B00010 (H)	1	Copper	SnCe
2	2EDGLF-5.0 pin2	1090B00050 (H)	1	Brass	SnCe

1	2EDGRF-5.0-03P-Housing	1090A0Y03A (H)	1	PA66	UL94V-0
ITEM	NAME OF PART	NO. OF PART	Q'TY	MATERIAL	NOTES
DETACHED LISTS	MM (INCH)	DFTO Yangys	DATE 05/07/07*	宁波高正电子有限公司 DEGSON ELECTRONICS CO., LTD NAME: 2EDGRF-5.0-03P-1Y-00A (H)	
	TOLERANCES EXCEPT AS NOTED	CHKD	DATE		
	MM	MFO	DATE		
	.0 ±	APPVL	DATE		
	.00 ±	MATERIAL :			
.000 ±					
ANGLES ± 1°	G.E :	DRAWING NO. 2EDGRF-5.0-E03		SIZE A3	REV T2
THIRD ANGLE PROJECTION	FINISH :	/PART NO.		06/10/10*	
	SCALE : 1:1	DO NOT SCALE DRAWING		SHEET 1	OF 1