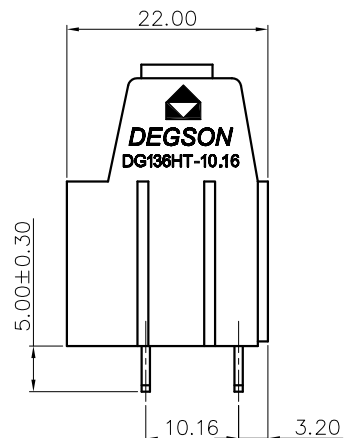
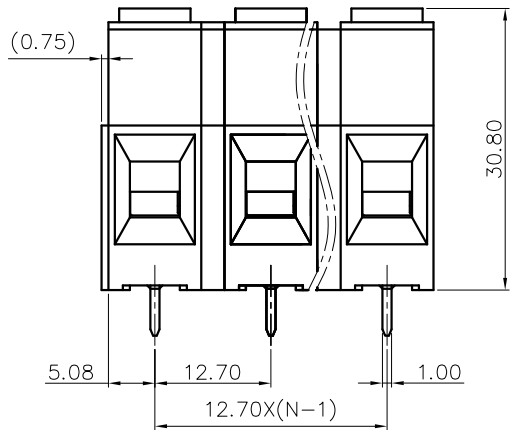
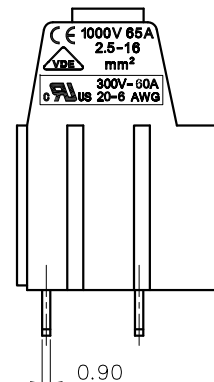
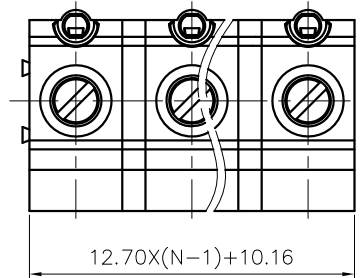


REVISION RECORD				
REV	ECN	DESCRIPTION	DRFT	DATE



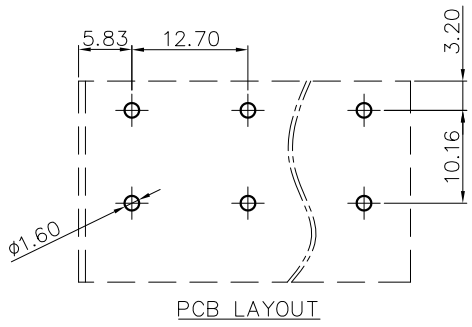
NOTES1:
 UL Standard
 1.Rated voltage/current : 600V / 60A
 2.Torque value : M4 , 10.53Lb.in
 3.Wire range : 20~6AWG
 IEC Standard
 1.Rated voltage/current : 1000V / 65A
 2.Torque value : M4, 1.2N·m
 3.Wire range : 2.5~16mm²

NOTES2:
 1.Dimension shall be interpreted per ASME Y14.5-2009
 2.Pitch : 12.70mm, Poles : 02~24P
 3.Stripping length : 11~12mm
 4.Withstanding voltage : AC3500V/1Min
 5.Operating temperature: -40°C~+105°C
 6.Undimensioned tolerances:

Pitch range in mm		Nominal dimension range in mm					-	∩	□
TO	Over	Over	Over	Over	Over	0.1/10			
6	10	10	30	60	100				
±0.15	±0.20	±0.30	±0.30	±0.50	±0.70	±1.00	±1.30	±2°	

7.RoHS Compliance

DG136HT - 12.7 - XXP - 1Y - 00A (H)
 (Series No.) (Pitch) (Poles) (Single Pitch) (Color):1.(Grey)
 2.(Blue)
 3.(Black)
 4.(Green)
 5.(Orange)
 6.(Red)
 7.(Transparent)
 8.(Yellow)
 9.(White)
 (RoHS)
 00A-(Standard)



DETACHED LISTS	PART NO.:	/			
	APPD:	NAME: DEGSON 宁波高松电子有限公司 NINGBO DEGSON ELECTRICAL CO., LTD			
	CHKD:	DG136HT-12.7-XXP-1Y-00A(H)			
	DRFT:	TITLE: CUSTOMER DRAWING	REV	DO	
		DRAWING NO.:	SHEET	1/1	
	THIRD ANGLE PROJECTION	MM (INCH)	DO NOT SCALE DRAWING	SCALE	1:1