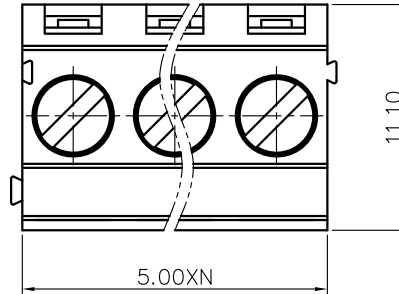
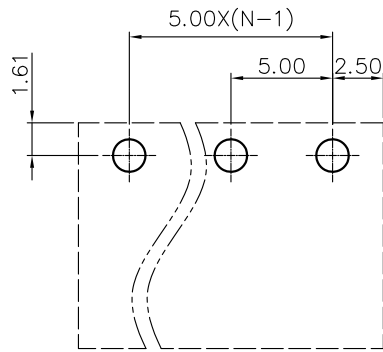


REVISION RECORD

REV	ECN	DESCRIPTION	DRFT	DATE
-----	-----	-------------	------	------



DG130H - 5.0 - XXP - 1Y - 00A (H)  
 (Series No.) (Pitch) (Poles) (Single Pitch) (RoHS)  
 00A--(Standard)  
 (Color): 1.(Grey) 2.(Blue) 3.(Black) 4.(Green) 5.(Orange)  
 6.(Red) 7.(Transparent) 8.(Yellow) 9.(White)

NOTES1:

UL Standard

1. Rated voltage/current : 300V / 20A
2. Torque value : M3 , 4.43Lb.in
3. Wire range : 24~12AWG

IEC Standard

1. Rated voltage/current : 250V / 24A
2. Torque value : M3 , 0.5N·m
3. Wire range : 2.5mm<sup>2</sup>

NOTES2:

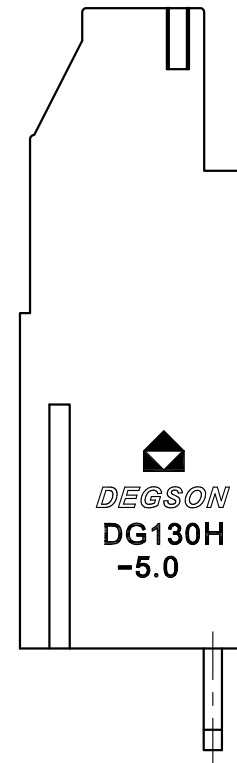
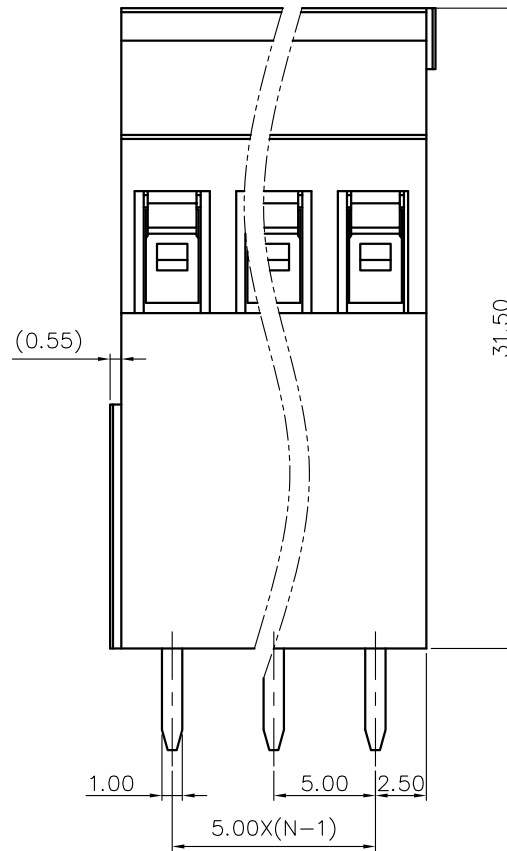
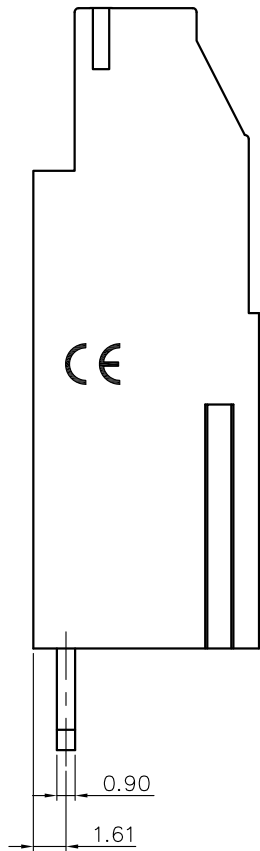
1. Dimension shall be interpreted per ASME Y14.5-2009
2. Pitch : 5.0mm, Poles : N=02~24P
3. Stripping length : 7mm
4. Withstanding voltage : AC2500V/1Min.
5. Operating temperature : -40°C~+105°C
6. Undimensioned tolerances:

Pitch range in mm	Nominal dimension range in mm						-	∩	∠
	Over 6 TO 10	Over 10 TO 24	Over 30 TO 60	Over 60 TO 100	Over 100 TO 150	Over 150			
±0.15	±0.20	±0.30	±0.30	±0.50	±0.70	±1.00	±1.30	±2'	

7. RoHS Compliance

H  
G  
F  
E  
D  
C  
B  
A

H  
G  
F  
E  
D  
C  
B  
A



DETACHED LISTS	PART NO.:	/			
	APPD:	/			
	CHKD:	/			
	DRFT:	/			
		<p>THIRD ANGLE PROJECTION</p>		<p>DO NOT SCALE DRAWING</p>	
		DRAWING NO.:		REV	DO
		/		SHEET	1/1
		MM (INCH)		SCALE	1:1