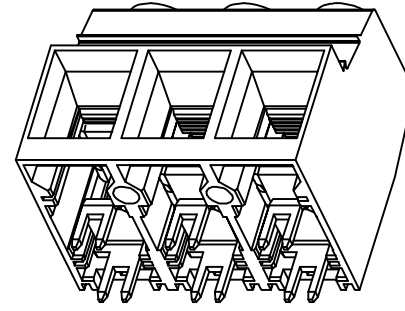
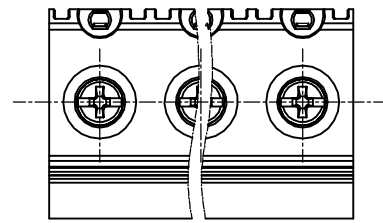


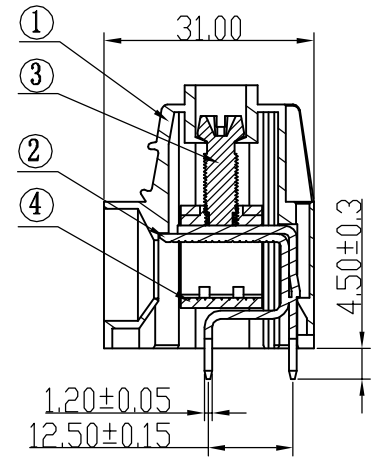
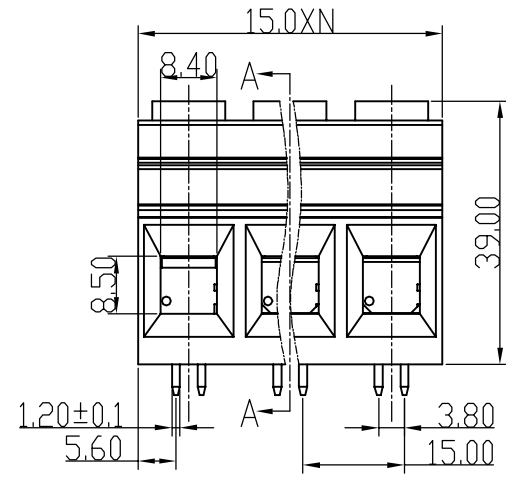
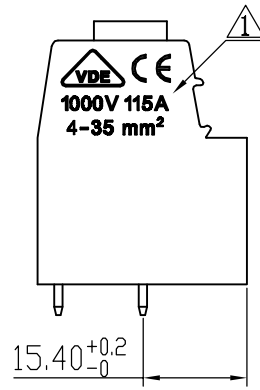
REVISION RECORD					
REV	ECN	DESCRIPTION	DRFT	DATE	
△	10-0314	增加VDE刻字	Yi. Zeng	09/24/10*	



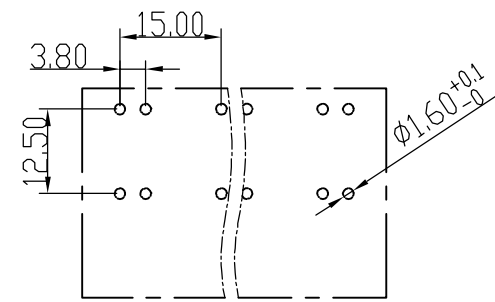
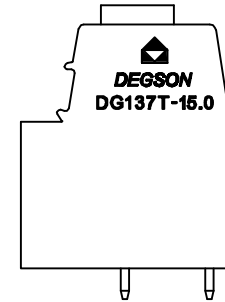
Notes:

1. Pitch:15.0mm, Poles:2P, 3P~9P
2. Rated voltage/current:UL1059 600V/115A
VDE 1000V/115A
3. Insulation resistance: 5000MΩ/DC1000V
4. Withstanding voltage : AC3000V/1Min
5. Temp. Range : -40° C~+105° C
6. Wire Range:20-2AWG, 4-35mm²
7. Max. Torque Value:20.40kgf.cm
8. Undimensioned Tolerances:

Pitch range in mm		Nominal dimension range in mm						
to 6	over 6 to 10	over 10 to 24	over 30 to 60	over 60 to 100	over 100 to 150	over 150	∩	
±0.10	±0.15	±0.25	±0.2	±0.3	±0.5	±0.7	±1	
							0.05/10	



Section A-A



4	DG137TM Cage	X000003220(H)	XX	Steel	Cr ³⁺ Zn
3	DG137TM M5-Screw	S000003330(H)	XX	Steel	Zn
2	DG137TM Pin header	4119B00010(H)	XX	copper	Sn

ITEM	NAME OF PART	NO. OF PART	Q'TY	MATERIAL	NOTES
1	DG137T Housing	4118A0YXXA(H)	1	PA66	UL94V-0

MM (INCH)	DFTD YHG	DATE 07/04/08*
TOLERANCES EXCEPT AS NOTED	CHKD	DATE
	MFD	DATE
	APPVL	DATE
	MATERIAL :	
ANGLES ± 1°	G.E :	
THIRD ANGLE PROJECTION	FINISH:	
	SCALE : 1:1	

DEGSON [®]		宁波高正电子有限公司 DEGSON ELECTRONICS CO., LTD	
NAME DG137T-15.0-XXP-1Y-00A(I)			
DRAWING NO. DG137T-15.0-E01			SIZE A3
/PART NO.			REV T1
DO NOT SCALE DRAWING			09/24/10*
SHEET 1		OF 1	