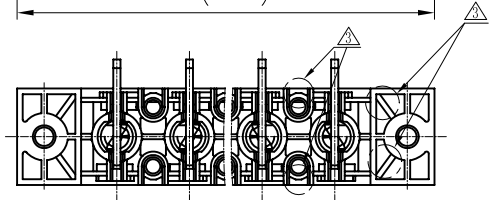
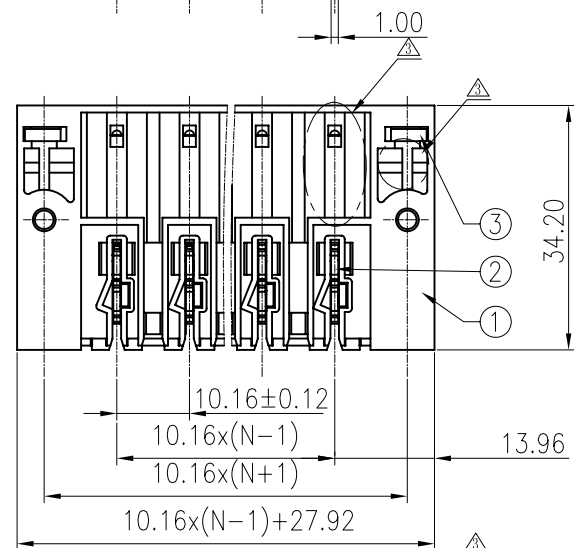
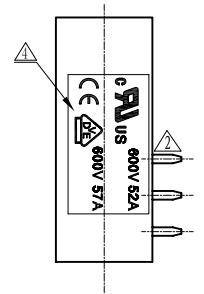
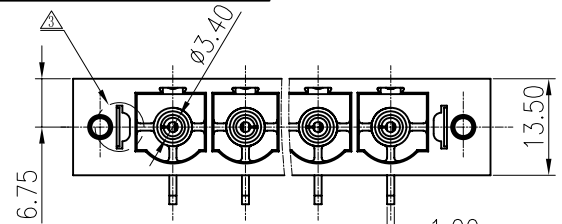
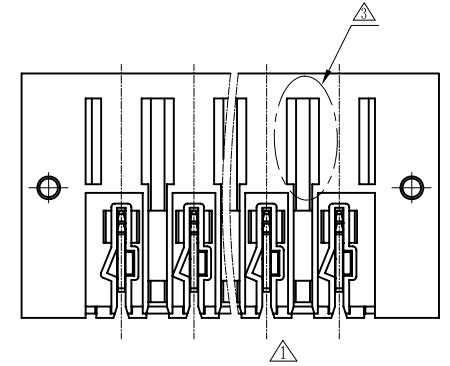
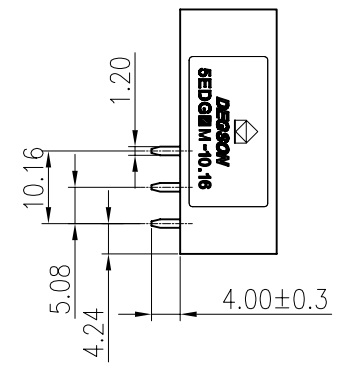


PCB LAYOUT(REF)



- Notes:
1. pitch:10.16mm, ploes:2-8p
 2. Rated current/voltage:
UL 52A/600V
VDE 57A/600V
 3. Operation temperatures:-40° ~+105°
 4. Withstanding Voltage:AC3500V/1Min
 5. Insulation Resistance:5000MΩ /DC1000V
 6. Undimensioned Tolerances:

Pitch range in mm		Nominal dimension range in mm						
to 6	over 6 to 10	over 10 to 24	over 30 to 60	over 60 to 100	over 100 to 150	over 150	—	
±0.10	±0.15	±0.25	±0.2±0.3	±0.5±0.7	±1.0	±1.0	0.005/10	



REVISION RECORD				
REV	ECO	DESCRIPTION	DRFT	DATE
△	10-0036	修改视图	CW	03.09.10
△	10-0170	增加UL刻字	Jordan.Yuan	06.07.10
△	10-0274	修改外形避专利	HD	08.20.10
△	10-0304	增加VDE CE刻字	HD	09.15.10

3	5EDGRM-10.16-Square Nut	S000003310 (H)	2	spcc	C ²⁺ Zn
2	5EDGRC-10.16-Pin	1194B00010 (H)	XX	Copper	Ag plated

1	5EDGRM-10.16-Housing	1195A0YXXA (H)	1	PA66	UL94V-0	
ITEM	NAME OF PART	NO. OF PART	Q"TY	MATERIAL	NOTES	
DETACHED LISTS	MM (INCH)	DFTO Zhwwm	DATE 09/05/08"	宁波高正电子有限公司 DEGSON ELECTRONICS CO., LTD NAME 5EDGRM-10.16-XXP-1Y-00A(H) DRAWING NO. 5EDGRM-10.16-E01 /PART NO. SIZE A3 REV T4 09/15/10"		
	TOLERANCES EXCEPT AS NOTED		CHKD			DATE
			MFO			DATE
			APPVL			DATE
			MATERIAL :			
MM	±	G.E :				
.0 ±	±	FINISH :				
.00 ±	±	SCALE : 1:1		DO NOT SCALE DRAWING		
.000 ±	±	THIRD ANGLE PROJECTION		SHEET 1 OF 1		