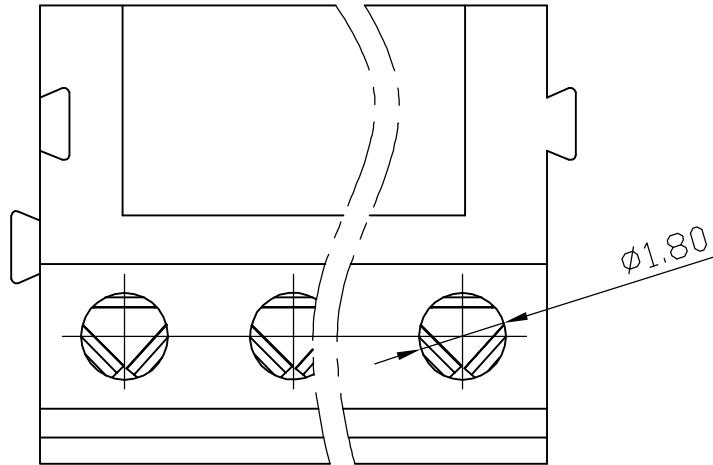
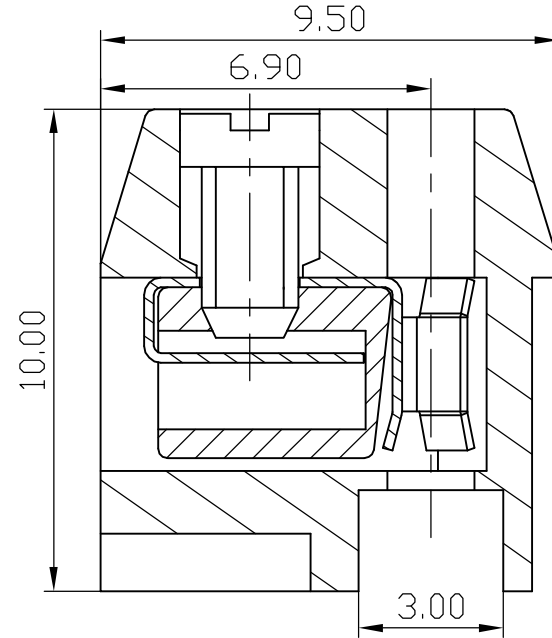
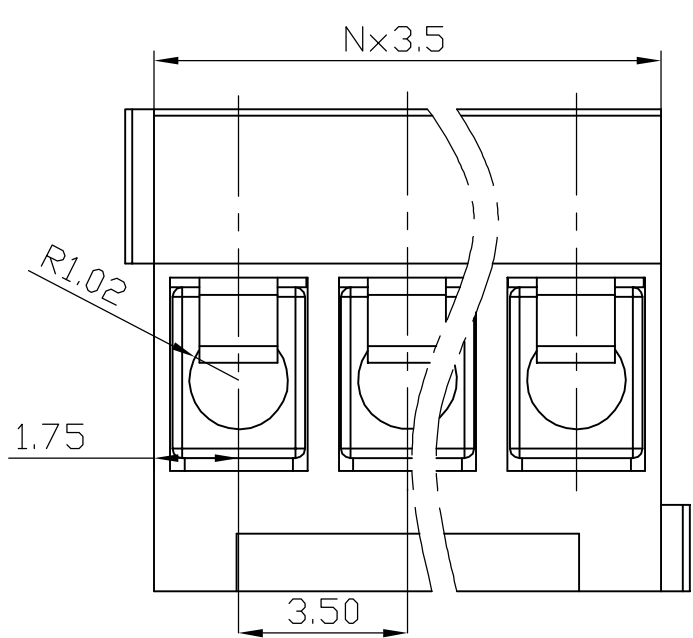


REVISION RECORD				
REV	ECD	DESCRIPTION	DRFT	DATE
△		Drawing revise	Haoyh	04/27/06
△		修改螺丝料号	CSX	08/22/06



Notes:

1. Pitch:3.5mm
2. Rated current:10A
3. Rated voltage:300V
4. Operation temperatures:-30℃~+120℃
5. Withstanding Voltage:AC2000V/1Min
6. Insulation Resistance:5000MΩ/DC1000V
7. Wire Range:28~16AWG, 1.5mm²
8. Max. Torque Value:M2, 2.04kgf.cm
9. Undimensioned Tolerances:

Pitch range in mm		Normal dimension range in mm						
to 6	over 6 to 10	over 10 to 24	to 6	over 6 to 30	over 30 to 90	over 90 to 200	over 200 to 480	∩
±0.10	±0.15	±0.25	±0.1	±0.2	±0.3	±0.5	±0.7	∇

4	DG333K Brass cage	X000000680(H)	XX	Brass	Ni plated
3	DG333K Wire guard	X000000690(H)	XX	Phosphor bronze	Ni plated
2	DG333K Screws	S000001960(H)	XX	Steel	Cr ³⁺ Zn

ITEM	NAME OF PART	NO. OF PART	Q'TY	MATERIAL	NOTES
	DG333K-3.5-housing	4054A0YXXA(H)	1	PBT	UL94V-0
TOLERANCES EXCEPT AS NOTED		DFTD L IUM DATE 10/04/05'' CHKD DATE MFD DATE APPVL DATE MATERIAL : ANGLES ± 1° FINISH: THIRD ANGLE PROJECTION			
MM .0 ± .00 ± .000 ±		± ± ±		NAME DEGSON® 宁波高正电子有限公司 DEGSON ELECTRONICS CO., LTD DG333K-3.5-XXP-1Y-00A(H) DRAWING NO. DG333K-E02 /PART NO.	
DO NOT SCALE DRAWING			SHEET 1	REV T2 08/22/06 OF 1	