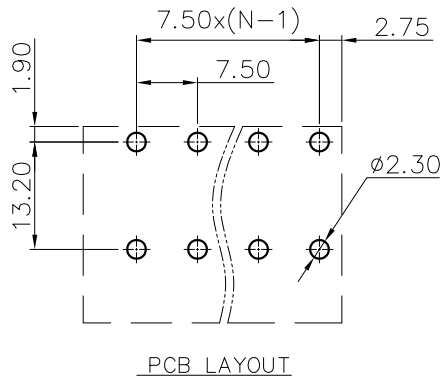
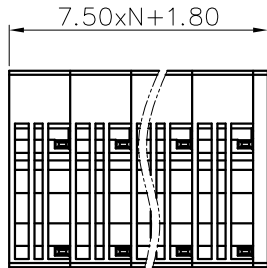
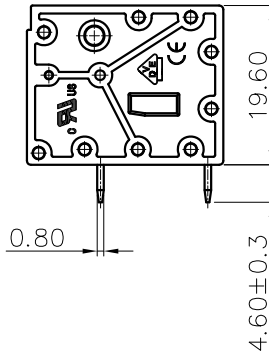
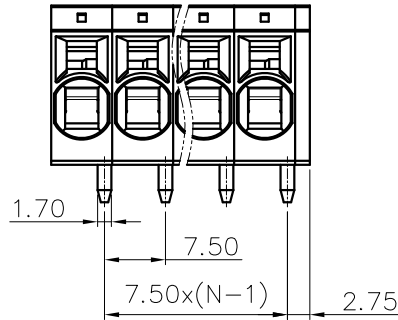
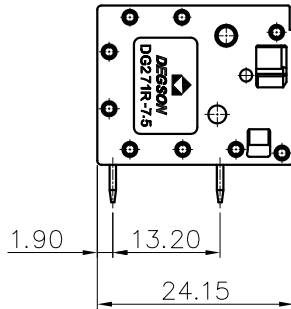


REVISION RECORD				
REV	ECN	DESCRIPTION	DRFT	DATE



NOTES1:

UL Standard

1. Rated voltage/current : 300V / 40A
2. Withstanding voltage : AC1600V/1Min.
3. Wire range : 24~8AWG

IEC Standard

1. Pollution degree	2	2	3
Overvoltage category	III	III	II
Rate impulse voltage(KV)	8.0KV	8.0KV	8.0KV
Rate voltage(V)	1000V	1000V	630V
Rate current(A)	41A		

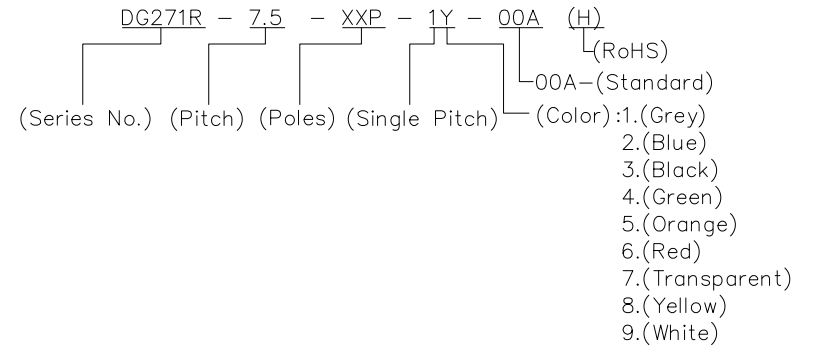
2. Wire range : 0.2~6.0mm<sup>2</sup>

NOTES2:

1. Dimension shall be interpreted per ASME Y14.5-2009
2. Pitch : 7.50mm, Poles : N=01~XXP
3. Stripping length : 14~15mm
4. Operating temperature : -40°C~+105°C
5. Undimensioned tolerances:

Pitch range in mm		Nominal dimension range in mm					-	∩	∟
TO	Over TO	Over TO	Over TO	Over TO	Over TO	0.1/10			
6	6 TO 10	10 TO 24	30 TO 30	60 TO 60	100 TO 150	<			
	±0.15	±0.20	±0.30	±0.30	±0.50	±0.70	±1.00	±1.30	
								±2'	

6. RoHS Compliance



DETACHED LISTS	PART NO.:	/			
	APPD:	/			
	CHKD:	/			
	DRFT:	/			
	THIRD ANGLE PROJECTION		DRAWING NO.:		/
		MM (INCH)		DO NOT SCALE DRAWING	
		TITLE: CUSTOMER DRAWING		REV	DO
		NAME: DG271R-7.5-XXP-1Y-00A(H)		SHEET	1/1
		NINGBO DEGSON ELECTRICAL CO., LTD		SCALE	1:1