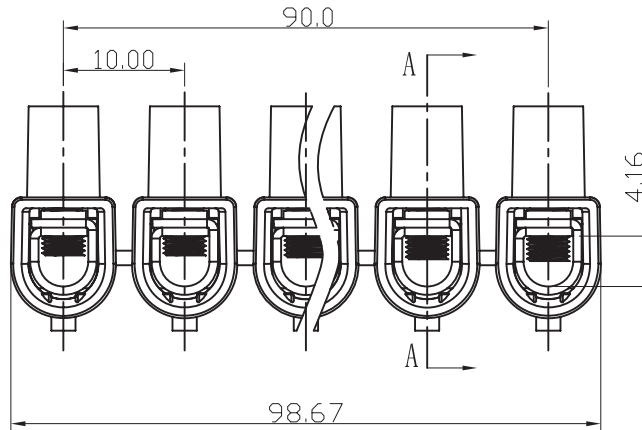
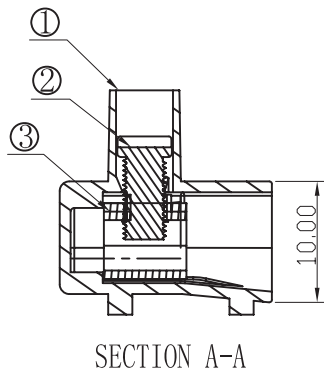
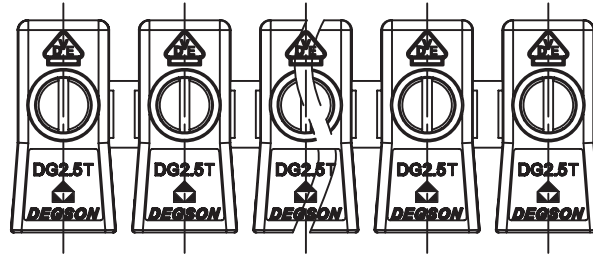


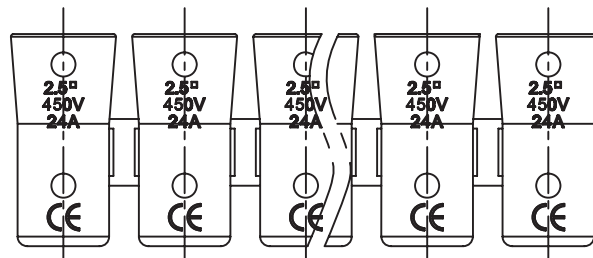
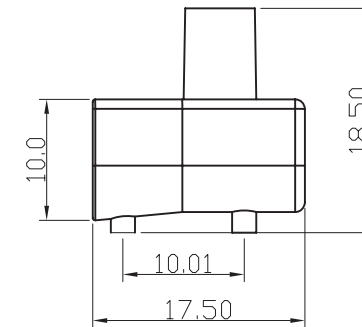
REVISION RECORD				
REV	ECN	DESCRIPTION	DRFT	DATE

Notes:

1. Pitch:10.0mm , Poles:10P
2. Rated voltage/current:VDE 450V/32A
3. Operation temperatures:-40°C~+85°C
4. Withstanding Voltage:AC2500V/1Min
5. Insulation Resistance:5000MΩ/DC1000V
6. Wire Range:2.5mm²*2
7. Max. Torque Value:8.16kgf.cm
8. Undimensioned Tolerances:



Pitch range in mm		Nominal dimension range in mm						—
to 8	over 8 to 16	over 16 to 24	to 6	over 6 to 30	over 30 to 90	over 90 to 200	over 200 to 480	∩
±0.08	±0.13	±0.18	±0.1	±0.2	±0.3	±0.5	±0.7	∇



3	DG2.5T-Current carrier	X000003500 (H)	10	Steel	Cr ³⁺ Zn
2	DG2.5T (M3.5)-Screw	S000003140 (H)	10	Steel	Cr ³⁺ Zn

ITEM	NAME OF PART	NO. OF PART	Q"TY	MATERIAL	NOTES
1	DG2.5T-Housing	2041A0710A (H)	1	PC	UL94V-2B

BETACHED LISTS	MM (INCH)	DFTD Apply	DATE 07/22/09*	宁波高正电子有限公司 DEGSON ELECTRONICS CO., LTD NAME: DG2.5T-10P-17-100A(H)			
	TOLERANCES EXCEPT AS NOTED	CHKD	DATE				
	MM	MFO	DATE				
	±	APPVVL	DATE				
ANGLES ± 1°	G.E :	MATERIAL :		DRAWING NO. DG2.5T-E02	SIZE A3	REV TO 09/10/10*	
THIRD ANGLE PROJECTION	FINISH:			/PART NO.	SCALE :	DO NOT SCALE DRAWING	SHEET 1 OF 1