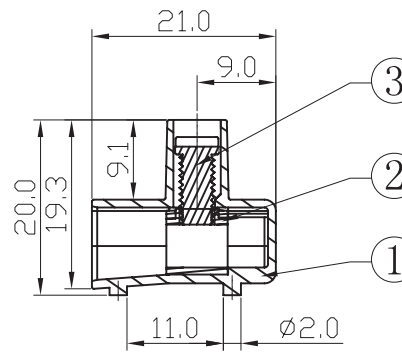
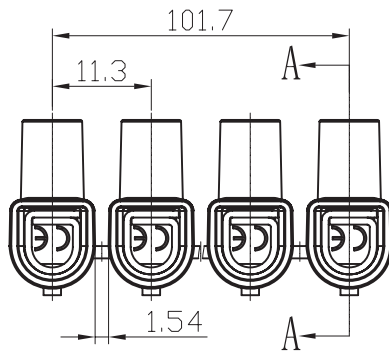
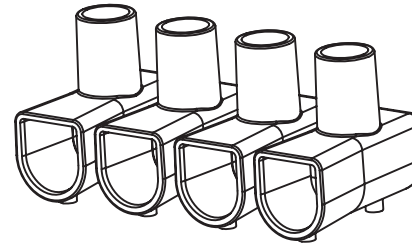
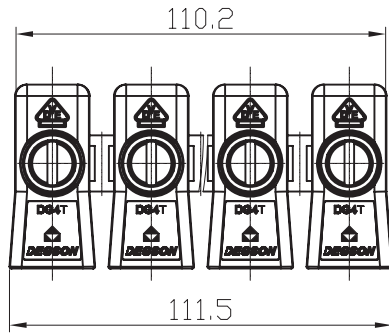


| REVISION RECORD | | | | |
|-----------------|-----|-------------|------|------|
| REV | ECN | DESCRIPTION | DRFT | DATE |
| | | | | |

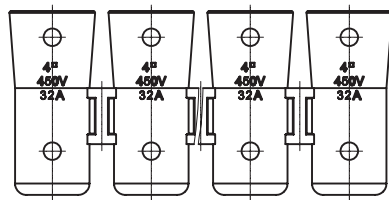


Section A-A

Notes:

1. Pitch:11.3 Ploes:10P
2. Rated voltage/Current:VDE 450V 32A
3. Operation temperatures:-40°C~+85°C
4. Withstanding Voltage:AC2500V/1Min
5. Insulation Resistance:5000MΩ/DC1000V
6. Wire Range:2x4.0mm²
7. Max. Torque Value:M4. 0, 12. 24Kgf. cm
8. Undimensioned Tolerances:

| Pitch range in mm | | Nominal dimension range in mm | | | | — |
|-------------------|---------|-------------------------------|---------|----------|-----------|------------|
| to | over | over | to | over | over | to |
| 8 | 8 to 16 | 16 to 24 | 6 to 30 | 30 to 90 | 90 to 200 | 200 to 480 |
| ±0.08 | ±0.13 | ±0.18 | ±0.1 | ±0.2 | ±0.3 | ±0.5 |
| | | | | | | ±0.7 |
| | | | | | | 0.05/10 |



| | | | | | |
|---|----------------------|----------------|----|-------|--------------------|
| 3 | DG4T"-Screw | S000004150 (H) | 10 | Steel | Cr ³ Zn |
| 2 | DG4T-Current carrier | X000003470 (H) | 10 | Steel | Cr ³ Zn |

| ITEM | NAME OF PART | NO. OF PART | Q'TY | MATERIAL | NOTES |
|---|--------------|--|------------|------------------------|--------------|
| 1 | DG4T-Housing | 2042A0710A (H) | 1 | PC | UL94V-2 |
| DFTD Apple DATE 07/22/09* CHKD DATE MFD DATE APPVL DATE MATERIAL : G.E : FINISH: SCALE : 1:1 | | 宁波高正电子有限公司 DEGSON [®] DEGSON ELECTRONICS CO., LTD NAME DG4T-10P-17-100A (H) DRAWING NO. DG4T-E02 /PART NO. DO NOT SCALE DRAWING | | | |
| DETACHED LISTS TOLERANCES EXCEPT AS NOTED ANGLES ± 1° THIRD ANGLE PROJECTION | | | SIZE A4 | REV TO 09/10/10* | SHEET 1 OF 1 |