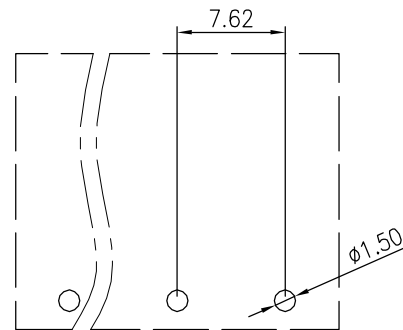
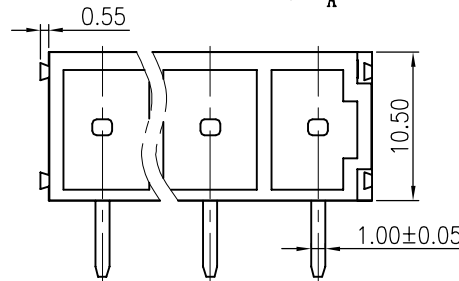
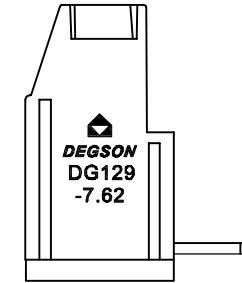
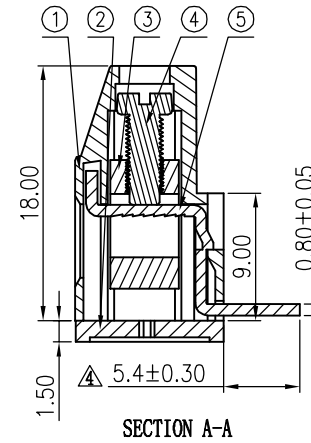
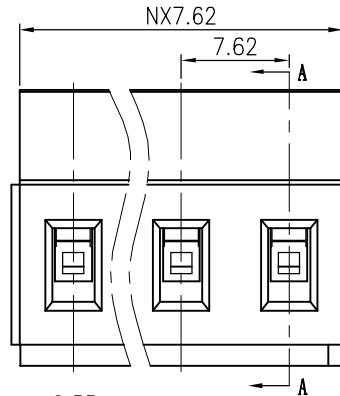
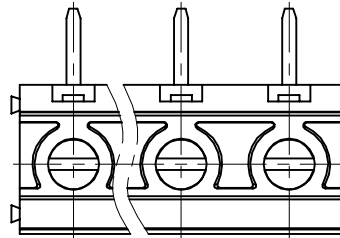
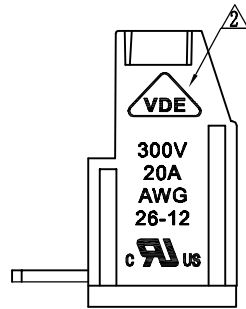


| REVISION RECORD | | | | |
|-----------------|-----|-----------------|------|----------|
| REV | ECD | DESCRIPTION | DRFT | DATE |
| △ | | 增加VDE认证 | CSX | 01/12/07 |
| △ | | 品名、料号增加环保标示“00” | CSX | 12/10/07 |
| △ | | 修改出脚尺寸5.3为5.4 | LJH | 04/25/09 |



Notes:

1. Pitch: 5.0mm, Poles: 2-XXP
2. Rated voltage/current: UL 300V/20A
VDE 250V/20A
3. Operation temperatures: -40°C ~ +105°C
4. Withstanding Voltage: AC2000V/1Min
5. Insulation Resistance: 5000MΩ/DC1000V
6. Wire Range: 26~12AWG, 0.5~2.5mm²
7. Max. Torque Value: M3, 5.1kgf.cm
8. Undimensioned Tolerances:

| Pitch range in mm | | Nominal dimension range in mm | | | | | |
|-------------------|--------|-------------------------------|---------|---------|----------|----------|---------|
| | over 6 | over 10 | over 30 | over 60 | over 100 | over 150 | ∩ |
| to 6 | to 10 | to 24 | to 30 | to 60 | to 100 | to 150 | □ |
| ±0.10 | ±0.15 | ±0.25 | ±0.2 | ±0.3 | ±0.5 | ±0.7 | ±1.0 |
| | | | | | | | 0.05/10 |

| ITEM | NAME OF PART | NO. OF PART | Q'TY | MATERIAL | NOTES |
|------|---------------------|---------------|------|----------|---------------------|
| 5 | DG129R Pin | 4034B00010(H) | XX | Barss | SnCe |
| 4 | DG129 M3"-Screws | S000001430(H) | XX | Steel | Cr ³⁺ Zn |
| 3 | DG129 Contact | X00000200(H) | XX | Barss | Ni plated |
| 2 | DG129-7.62-Cover | 4043C0YXXA(H) | 1 | PA66 | UL94V-0 |
| 1 | DG129R-7.62-Housing | 4068A0YXXA(H) | 1 | PA66 | UL94V-0 |

| DETACHED LISTS | | NAME OF PART | | NO. OF PART | Q'TY | MATERIAL | NOTES | | | | | | | | | | | | | | | | | | | | | | | | |
|----------------------------|---------------------------|--|--|-------------|----------|----------|-------|--------------|---------------------------|------|------|-----|------|-------------|-----------------|------------|--|-------|-----|-----------|--|--|--|----|----|--|--|--|--|--|----------|
| MM (INCH) | DATE 07/25/05" | <table border="1"> <tr> <td>DRFT TO L1UM</td> <td>DATE</td> </tr> <tr> <td>CHKD</td> <td>DATE</td> </tr> <tr> <td>MFD</td> <td>DATE</td> </tr> <tr> <td>APPVL</td> <td>DATE</td> </tr> <tr> <td>MATERIAL :</td> <td></td> </tr> <tr> <td>G.E :</td> <td></td> </tr> <tr> <td>FINISH:</td> <td></td> </tr> </table> | | | | | | DRFT TO L1UM | DATE | CHKD | DATE | MFD | DATE | APPVL | DATE | MATERIAL : | | G.E : | | FINISH: | | | | | | | | | | | |
| DRFT TO L1UM | DATE | | | | | | | | | | | | | | | | | | | | | | | | | | | | | | |
| CHKD | DATE | | | | | | | | | | | | | | | | | | | | | | | | | | | | | | |
| MFD | DATE | | | | | | | | | | | | | | | | | | | | | | | | | | | | | | |
| APPVL | DATE | | | | | | | | | | | | | | | | | | | | | | | | | | | | | | |
| MATERIAL : | | | | | | | | | | | | | | | | | | | | | | | | | | | | | | | |
| G.E : | | | | | | | | | | | | | | | | | | | | | | | | | | | | | | | |
| FINISH: | | | | | | | | | | | | | | | | | | | | | | | | | | | | | | | |
| TOLERANCES EXCEPT AS NOTED | | <table border="1"> <tr> <td>NAME</td> <td colspan="5">DG129R-7.62-XXP-1Y-00A(H)</td> </tr> <tr> <td>DRAWING NO.</td> <td colspan="3">DG129R-7.62-E01</td> <td>SIZE</td> <td>REV</td> </tr> <tr> <td>/PART NO.</td> <td colspan="3"></td> <td>A3</td> <td>T4</td> </tr> <tr> <td></td> <td colspan="3"></td> <td></td> <td>04/25/09</td> </tr> </table> | | | | | | NAME | DG129R-7.62-XXP-1Y-00A(H) | | | | | DRAWING NO. | DG129R-7.62-E01 | | | SIZE | REV | /PART NO. | | | | A3 | T4 | | | | | | 04/25/09 |
| NAME | DG129R-7.62-XXP-1Y-00A(H) | | | | | | | | | | | | | | | | | | | | | | | | | | | | | | |
| DRAWING NO. | DG129R-7.62-E01 | | | SIZE | REV | | | | | | | | | | | | | | | | | | | | | | | | | | |
| /PART NO. | | | | A3 | T4 | | | | | | | | | | | | | | | | | | | | | | | | | | |
| | | | | | 04/25/09 | | | | | | | | | | | | | | | | | | | | | | | | | | |
| ANGLES ± 1° | | DO NOT SCALE DRAWING | | | | | | | | | | | | | | | | | | | | | | | | | | | | | |
| THIRD ANGLE PROJECTION | SCALE : 1:1 | SHEET 1 | | | | OF 1 | | | | | | | | | | | | | | | | | | | | | | | | | |