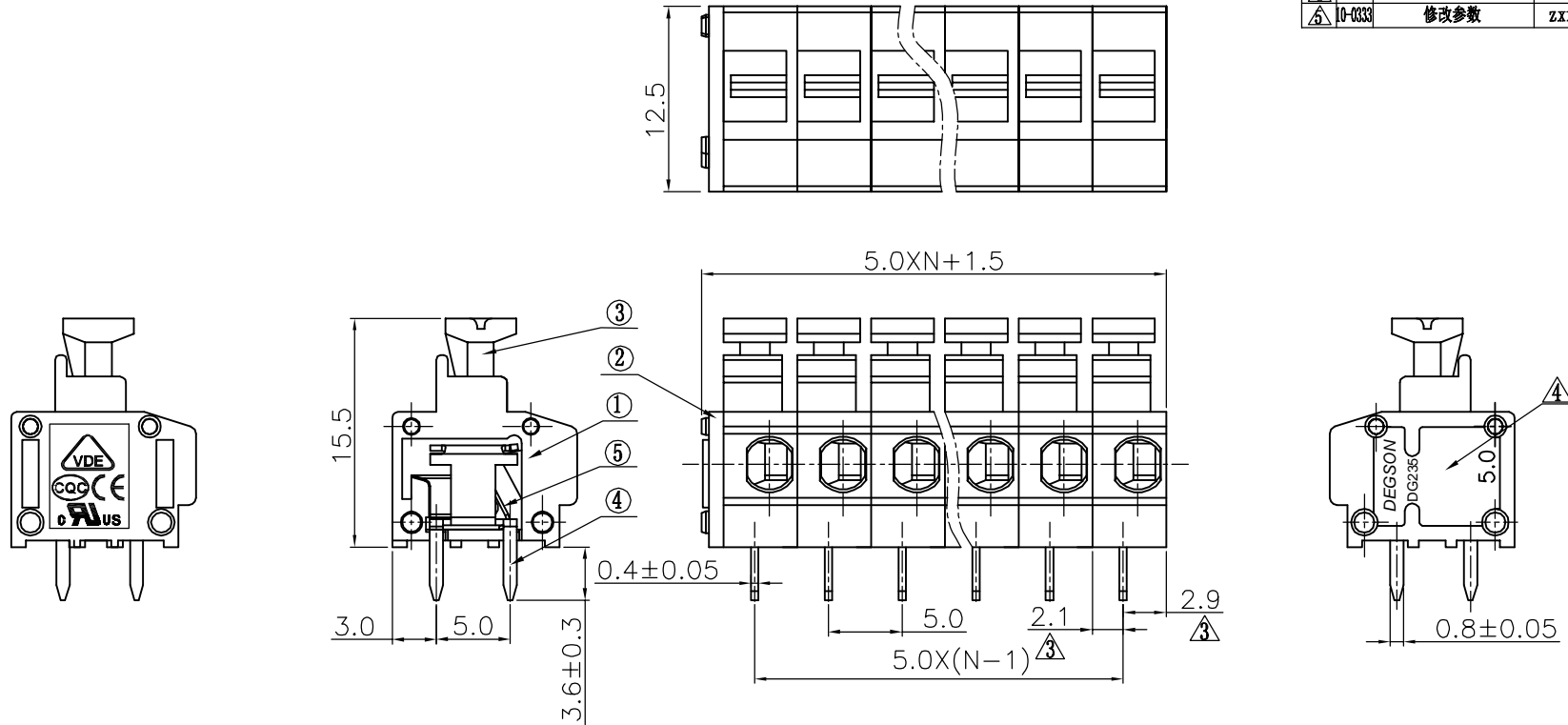


REVISION RECORD				
REV	ECN	DESCRIPTION	DRFT	DATE
△1		图面更新	HW	04/11/06*
△2		图面更新	ZYH	05/06/08*
△3		工程变更: 去掉电压、电流刻字	WLM	08/11/08*
△4	10-0333	修改参数	ZXX	09/30/10*



Notes:

- Pitch: 5.0mm , Poles: XXP
- Rated voltage/current: UL 300V/5A
VDE 250V/15A △
- Operation temperatures: -40°C~+105°C
- Withstanding Voltage: AC2000V/1min
- Insulation Resistance: 5000MΩ/DC1000V
- Wire Range: 20~18AWG, 0.2~1.5mm² (str) △
0.2~2.5mm² (sol) △
- Undimensioned Tolerances:

Pitch range in mm		Nominal dimension range in mm						
to	over	to	over	to	over	to	over	
6	10	24	30	60	100	150		
±0.10	±0.15	±0.25	±0.2	±0.3	±0.5	±0.7	±1.0	0.05/0

5	DG235-5.0-Spring	X00000140(H)	XX	Stainless Steel	
4	DG235-5.0-Pin header	3008B00010(H)	XX	Phosphor Bronze	SnCe plated
3	DG235-5.0 Button	3008D0Y01A(H)	XX	PA66	UL94V-0
2	DG235-5.0 Cover	3008C0Y01A(H)	1	PA66	UL94V-0

ITEM	NAME OF PART	NO. OF PART	Q'TY	MATERIAL	NOTES
1	DG235-5.0 Housing	3008A0Y01A(H)	XX	PA66	UL94V-0

TOLERANCES EXCEPT AS NOTED		DFTO Zhwmw DATE 08/02/'04	
MM		CHKD	DATE
.0 ±	±		
.00 ±	±		
.000 ±	±		
MATERIAL :		DATE	
ANGLES ± 1°		G.E :	
THIRD ANGLE PROJECTION		FINISH :	
SCALE : 1:1		DO NOT SCALE DRAWING	

DEGSON® 宁波高正电子有限公司 DEGSON ELECTRONICS CO., LTD			
NAME			
DG235-5.0-XXP-1Y-00A(H)			
DRAWING NO. DG235-5.0-E17			SIZE
/PART NO.			A3
REV T5 09/30/10*			REV T5 09/30/10*
SHEET 1			OF 1