

REVISION RECORD

| REV | ECN | DESCRIPTION | DRFT | DATE |
|-----|-----|-------------|------|------|
|-----|-----|-------------|------|------|

NOTES1:

UL Standard

1. Rated voltage/current : 300V / 15A
2. Withstanding voltage : AC1600V/1Min.
3. Torque value : M2.6 , 3.54Lb.in
4. Wire range : 26~12AWG

IEC Standard

| 1. | Pollution degree | 2 | 2 | 3 |
|----|--------------------------|-------|-------|-------|
| | Overvoltage category | II | III | III |
| | Rate impulse voltage(KV) | 4.0KV | 4.0KV | 4.0KV |
| | Rate voltage(V) | 630V | 400V | 250V |
| | Rate current(A) | 24A | | |

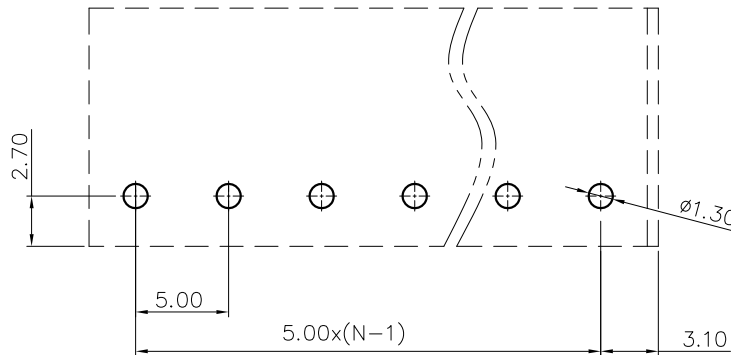
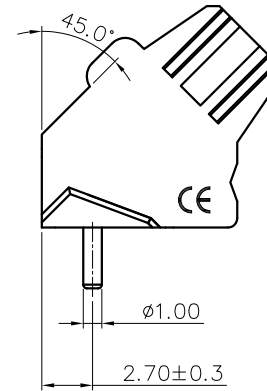
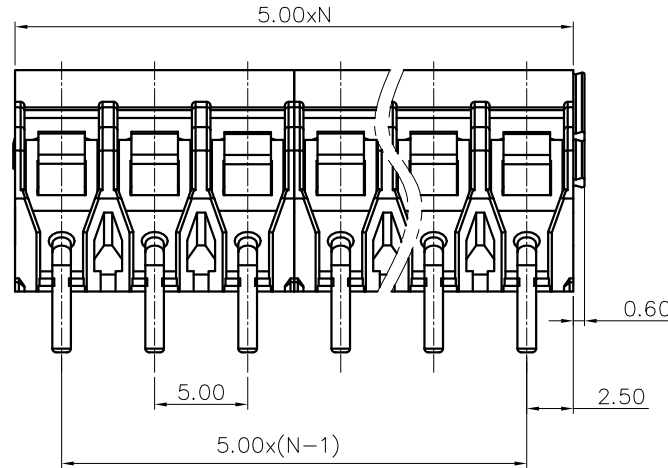
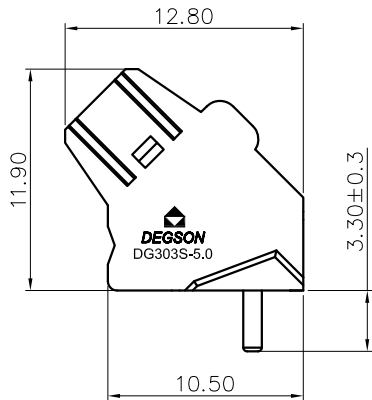
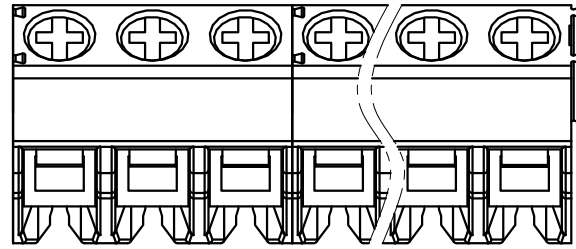
2. Torque value : M2.6 , 0.4N·m
3. Wire range : 0.2~2.5mm²

NOTES2:

1. Dimension shall be interpreted per ASME Y14.5-2009
2. Pitch : 5.00mm, Poles : N=02~XXP
3. Stripping length : 5mm
4. Operating temperature : -40°C~+105°C
5. Undimensioned tolerances:

| Pitch range in mm | | Nominal dimension range in mm | | | | | | | |
|-------------------|---------|-------------------------------|----------|-----------|------------|----------|--------|-----|--|
| TO | Over | Over | Over | Over | Over | Over | | | |
| 6 | 6 TO 10 | 10 TO 24 | 30 TO 60 | 60 TO 100 | 100 TO 150 | Over 150 | 0.1/10 | | |
| ±0.15 | ±0.20 | ±0.30 | ±0.30 | ±0.50 | ±0.70 | ±1.00 | ±1.30 | ±2' | |

6. RoHS Compliance



PCB LAYOUT

DG303S - 5.0 - XXP - 1Y - 02A (H)

(Series No.) (Pitch) (Poles) (Single Pitch) (Color): 1.(Grey)
 2.(Blue)
 3.(Black)
 4.(Green)
 5.(Orange)
 6.(Red)
 7.(Transparent)
 8.(Yellow)
 9.(White)

(RoHS)
 -02A-(Standard)

| | | | | | |
|------------------------|-----------|---|-------|-----|----|
| DETACHED LISTS | PART NO.: | 宁波高松电子有限公司 NINGBO DEGSON ELECTRICAL CO., LTD | | | |
| | APPD: | NAME: DG303S-5.0-XXP-1Y-02A(H) | | | |
| | CHKD: | TITLE: CUSTOMER DRAWING | | | |
| | DRFT: | DRAWING NO.: DG303S-5.0-C03 | | REV | D0 |
| THIRD ANGLE PROJECTION | | DRAWING NO.: DG303S-5.0-C03 MM (INCH) | SHEET | 1/1 | |
| | | DO NOT SCALE DRAWING | SCALE | 1:1 | |