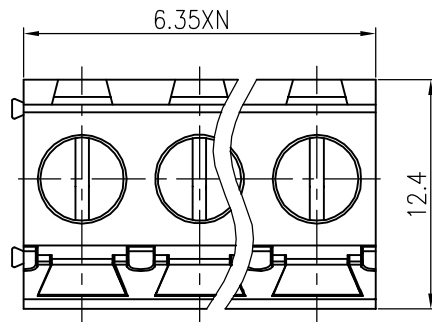
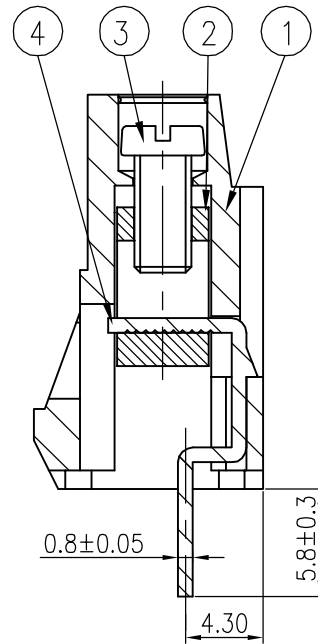
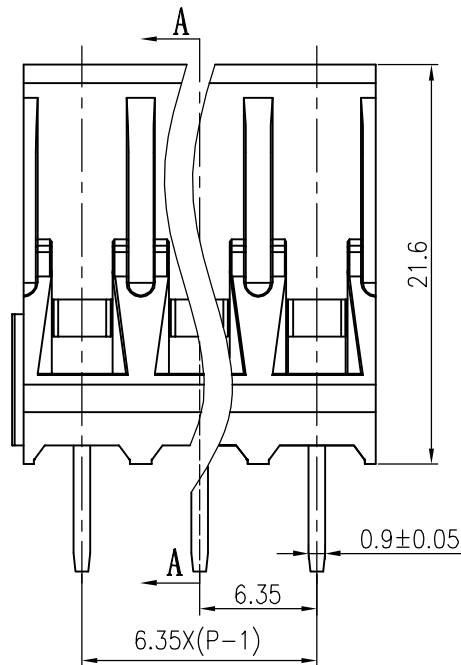


| REVISION RECORD | | | | | |
|-----------------|-----|----------------|-------|----------|--|
| REV | ECO | DESCRIPTION | DRFT | DATE | |
| △ | | Drawing Revise | Haoyh | 03/27/06 | |
| △ | | 增加UL刻字 | csx | 10/04/06 | |
| △ | | 增加VDE、CE标志 | LJH | 11/09/07 | |
| △ | | 增加VDE参数 | LJH | 01/09/08 | |

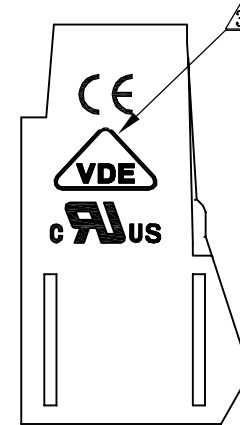


- Notes:
1. Pitch: 6.35mm
 2. Rated volatge/current: UL 300V/30A
VDE 450V/32A
 3. Insulation resistance: 5000MΩ/DC1000V
 4. Withstanding voltage: AC2000V/1Min
 5. Wire range: 26-10 AWG 4mm²
 6. Temp, range: -40° C~+105° C
 7. Torque: 5. 10kgf.cm
 8. Undimensioned Tolerances:

| Pitch range in mm | | | Nominal dimension range in mm | | | | |
|-------------------|---------|----------|-------------------------------|----------|-----------|------------|---------|
| to | over | over | to | over | over | over | |
| 6 | 6 to 10 | 10 to 24 | 30 | 30 to 60 | 60 to 100 | 100 to 150 | ∩ ◇ |
| ±0.10 | ±0.15 | ±0.25 | ±0.2 | ±0.3 | ±0.5 | ±0.7 | ±1.0 |
| | | | | | | | 0.05/10 |



截面 A-A



| | | | | | |
|---|------------------|----------------|----|-------|-----------|
| 4 | DG635-Pin header | 4030B00010 (H) | XX | Brass | SnCe |
| 3 | DG950"-Screws | S000001690 (H) | XX | Steel | Cr Zn |
| 2 | DG950 Cage | X000000310 (H) | XX | Brass | Ni plated |

| ITEM | NAME OF PART | NO. OF PART | Q'TY | MATERIAL | NOTES | | | | | | | | | | | | | | | |
|---|--------------------|----------------------------------|------------|----------------------------|----------------------------|------|------|--|-----|------|--|-------|------|--|------------|--|---|--|--|--|
| 1 | DG635-6.35 Housing | 4030A0YXXA (H) | 1 | PA66 | UL94V-0 | | | | | | | | | | | | | | | |
| <table border="1"> <tr> <td>← MM (INCH) →</td> <td>DFTO Haoyh</td> <td>DATE 05/07/05*</td> </tr> <tr> <td>TOLERANCES EXCEPT AS NOTED</td> <td>CHKD</td> <td>DATE</td> </tr> <tr> <td></td> <td>MFO</td> <td>DATE</td> </tr> <tr> <td></td> <td>APPVL</td> <td>DATE</td> </tr> <tr> <td></td> <td colspan="2">MATERIAL :</td> </tr> </table> | | ← MM (INCH) → | DFTO Haoyh | DATE 05/07/05* | TOLERANCES EXCEPT AS NOTED | CHKD | DATE | | MFO | DATE | | APPVL | DATE | | MATERIAL : | | 宁波高正电子有限公司 DEGSON ELECTRONICS CO., LTD | | | |
| ← MM (INCH) → | DFTO Haoyh | DATE 05/07/05* | | | | | | | | | | | | | | | | | | |
| TOLERANCES EXCEPT AS NOTED | CHKD | DATE | | | | | | | | | | | | | | | | | | |
| | MFO | DATE | | | | | | | | | | | | | | | | | | |
| | APPVL | DATE | | | | | | | | | | | | | | | | | | |
| | MATERIAL : | | | | | | | | | | | | | | | | | | | |
| DETACHED LISTS | | NAME DG635-6.35-XXP-1Y-00A(H) | | | | | | | | | | | | | | | | | | |
| ANGLES ± 1° | | G.E : | | DRAWING NO. DG635-6.35-E01 | | | | | | | | | | | | | | | | |
| THIRD ANGLE PROJECTION | | FINISH : | | /PART NO. | | | | | | | | | | | | | | | | |
| | | SCALE : 1:1 | | DO NOT SCALE DRAWING | | | | | | | | | | | | | | | | |
| | | | SHEET 1 | | OF 1 | | | | | | | | | | | | | | | |