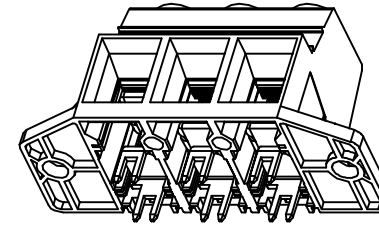
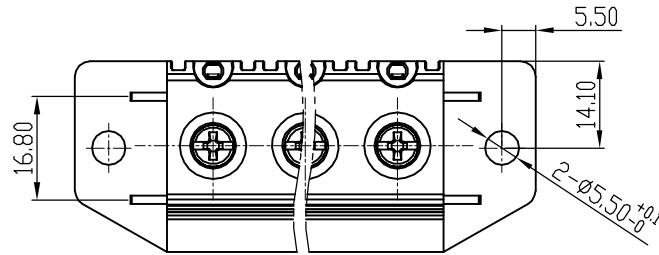
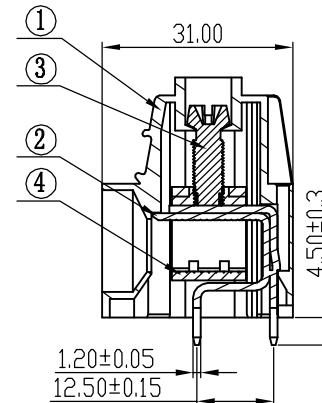
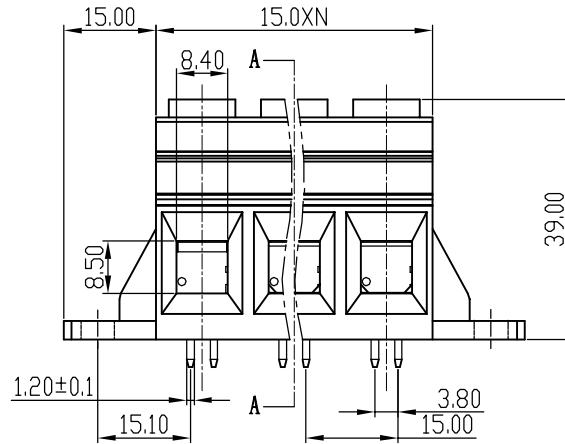
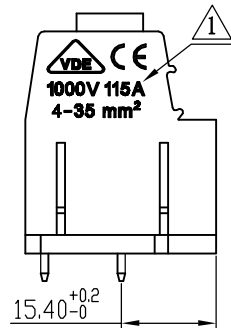


REVISION RECORD				
REV	ECD	DESCRIPTION	DRFT	DATE
△ 10-0314		增加VDE刻字	Yi. Zeng	09/25/10*

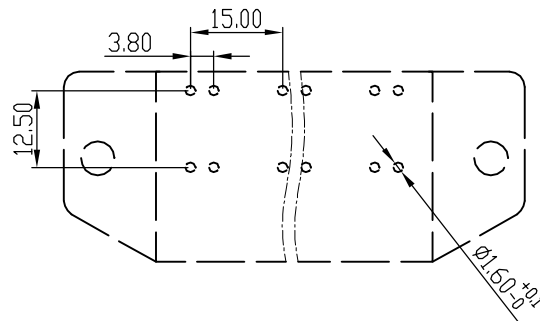
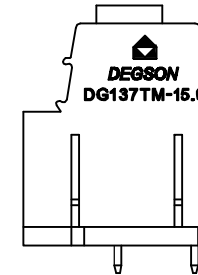


- Notes:
1. Pitch: 15.0mm, Poles: 2P, 3P~9P
 2. Rated voltage/current: UL1059 600V/115A
VDE 1000V/115A
 3. Insulation resistance: 5000MΩ/DC1000V
 4. Withstanding voltage: AC3000V/1Min
 5. Temp. Range: -40°C~+105°C
 6. Wire Range: 20-2AWG, 4-35mm²
 7. Max. Torque Value: 20.40kgf.cm
 8. Undimensioned Tolerances:

Pitch range in mm		Nominal dimension range in mm					
to	over	to	over	to	over		
6	10	24	30	60	100	150	∩
10	24	30	60	100	150		□
±0.10	±0.15	±0.25	±0.2	±0.3	±0.5	±0.7	±1



Section A-A



4	DG137TM Cage	X000003220(H)	XX	Steel	Cr ³⁺ Zn
3	DG137TM M5-Screw	S000003330(H)	XX	Steel	Zn
2	DG137TM Pin header	4119B00010(H)	XX	copper	Sn

ITEM	NAME OF PART	NO. OF PART	Q'TY	MATERIAL	NOTES
1	DG137TM Housing	4119A0YXXA(H)	1	PA66	UL94V-0
TOLERANCES EXCEPT AS NOTED		DATE 07/04/08*	宁波高正电子有限公司 DEGSON ELECTRONICS CO., LTD		
NAME		DG137TM-15.0-XXP-1Y-00A1			
DRAWING NO. DG137TM-15.0-E01		SIZE A3		REV T1 09/25/10*	
/PART NO.		DO NOT SCALE DRAWING		SHEET 1 OF 1	