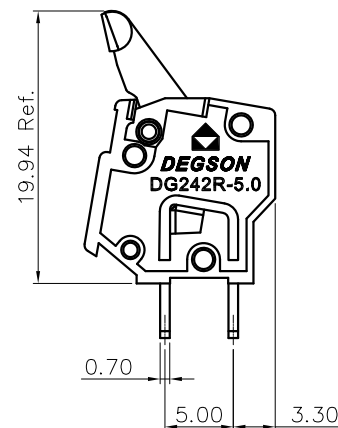
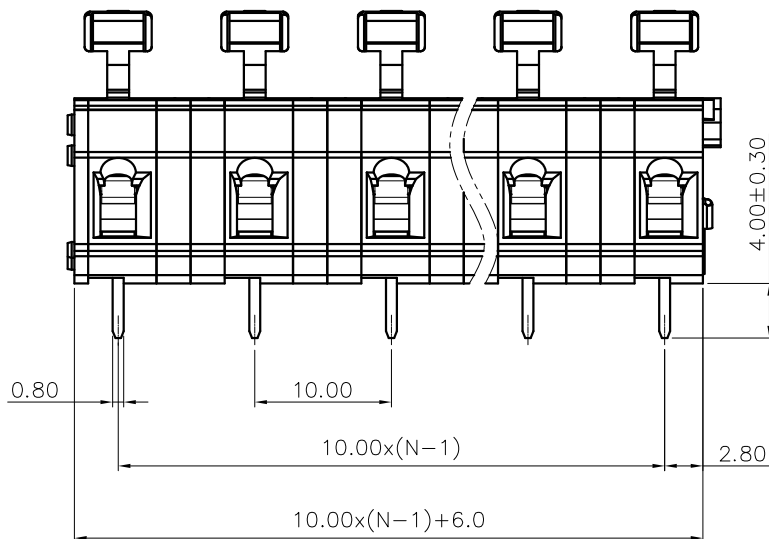
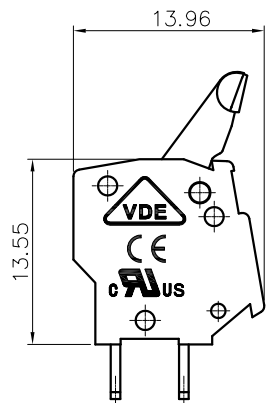


REVISION RECORD				
REV	ECN	DESCRIPTION	DRFT	DATE



NOTES1:

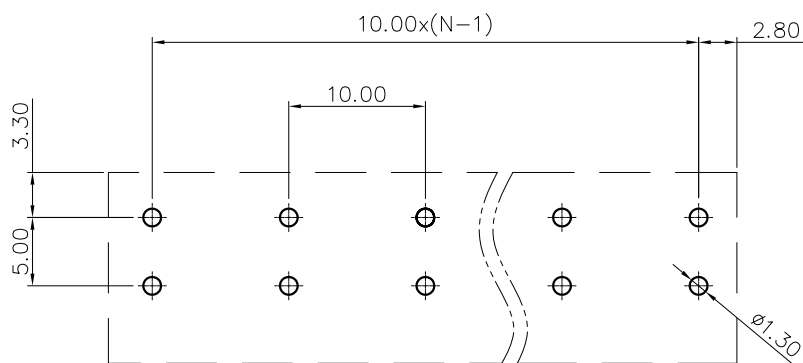
- UL Standard
- 1. Rated voltage/current : 300V / 15A
- 2. Wire range : 28~12AWG
- IEC Standard
- 1. Rated voltage/current : 1000V / 17A
- 2. Wire range : 0.2~2.5mm²

NOTES2:

- 1. Dimension shall be interpreted per ASME Y14.5-2009
- 2. Pitch : 10.00mm, Poles : N=01~XXP
- 3. Stripping length : 5~6mm
- 4. Withstanding voltage : AC3500V/1Min
- 5. Operating temperature: -40°C~+105°C
- 6. Undimensioned tolerances:

Pitch range in mm	Nominal dimension range in mm						-	r	D
	Over 6 TO 6	Over 10 TO 10	Over 24 TO 24	Over 30 TO 30	Over 60 TO 60	Over 100 TO 100			
	±0.15	±0.20	±0.30	±0.30	±0.50	±0.70	±1.00	±1.30	±2'

7. RoHS Compliance



PCB LAYOUT

DG242R - 10.0 - XXP - 1Y - 00A (H)

(Series No.) (Pitch) (Poles) (Single Pitch) (Color): 1.(Grey)
 2.(Blue)
 3.(Black)
 4.(Green)
 5.(Orange)
 6.(Red)
 7.(Transparent)
 8.(Yellow)
 9.(White)

(RoHS)
 00A-(Standard)

DETACHED LISTS	PART NO.:	宁波高松电子有限公司 NINGBO DEGSON ELECTRICAL CO., LTD			
	APPD:	NAME: DG242R-10.0-XXP-1Y-00A(H)			
	CHKD:	TITLE: CUSTOMER DRAWING		REV	DO
	DRFT:	DRAWING NO.:		SHEET	1/1
THIRD ANGLE PROJECTION		MM (INCH)	DO NOT SCALE DRAWING	SCALE	1:1