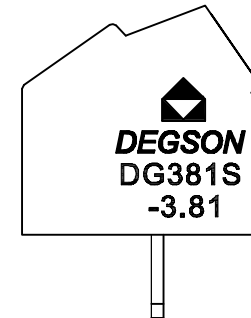
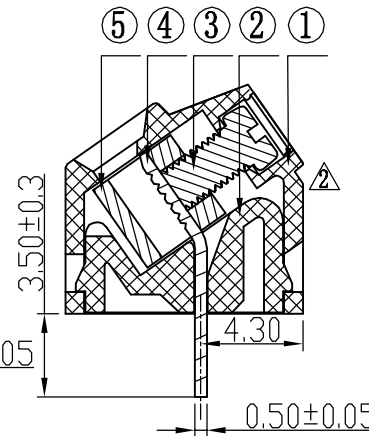
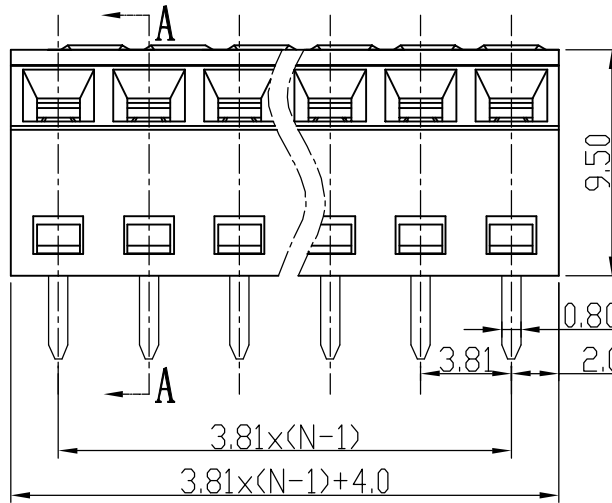
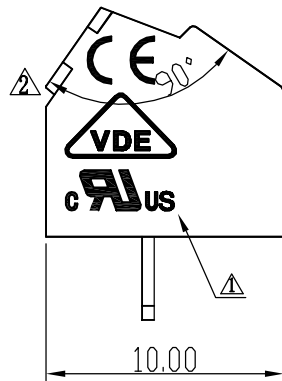
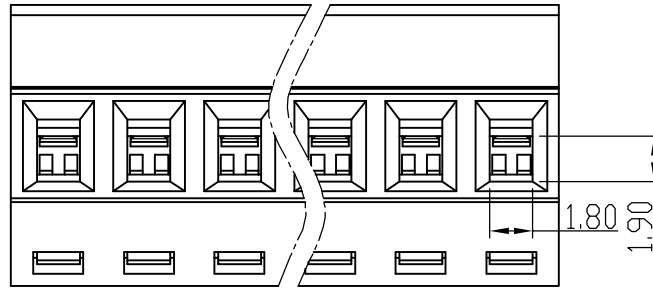
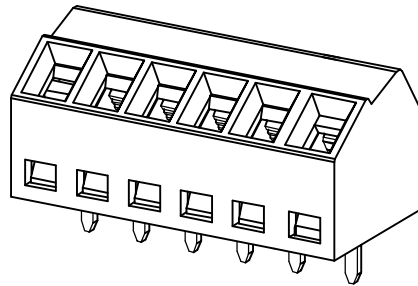


REVISION RECORD				
REV	ECN	DESCRIPTION	DRFT	DATE
▲	10-0152	增加UL刻字	Lasting	23/05/10*
▲	10-0296	避专利修改外观	Pwngwu	08/30/10*



SECTION A-A

Notes:

1. Pitch: 3.81mm, Poles: 2-12P
2. Rated voltage/current: UL 300V/10A  
VDE 130V/10A
3. Operation temperatures: -40°C ~ +105°C
4. Withstanding Voltage: AC2000V/1Min
5. Insulation Resistance: 5000MΩ / DC1000V
6. Wire Range: 26~16AWG, 1.0mm<sup>2</sup>
7. Max. Torque Value: M2, 2.04kgf.cm
8. Undimensioned Tolerances:

Pitch range in mm		Nominal dimension range in mm					—
to	over	to	to	to	to	to	—
6	10	10	30	60	100	150	∩
6	10	24	30	60	100	150	□
±0.10	±0.15	±0.25	±0.2	±0.3	±0.5	±0.7	±1.0 (0.05/10)

5	DG381 Cage	X000000300 (H)	XX	Brass	Ni plated
4	DG381S-3.5 Pin header	4147B00010 (H)	XX	Copper	SnCe
3	DG381 Screws	S000001440 (H)	XX	Steel	Cr <sup>3+</sup> Zn
2	DG381S-3.81-Cover	4148COYXXA (H)	1	PA66	UL94V-0

ITEM	NAME OF PART	NO. OF PART	Q'TY	MATERIAL	NOTES
1	DG381S-3.81-Housing	4148A0YXXA (H)	1	PA66	UL94V-0

TOLERANCES EXCEPT AS NOTED		DF TO YHG	DATE 10/24/08*
MM (INCH)		CHK'D	DATE
		MFD	DATE
		APP'VL	DATE
MATERIAL :			

DETAILED LISTS		G.E :	
ANGLES ± 1°			
THIRD ANGLE PROJECTION			

NAME		DRAWING NO.		SIZE	REV
DG381S-3.81-XXP-1Y-00A(H)		DG381S-3.81-E01		A3	T2
		/PART NO.			08/30/08*

SCALE		SHEET	
SCALE : 1:1		SHEET 1 OF 1	