

REVISION RECORD

REV	ECN	DESCRIPTION	DRFT	DATE
-----	-----	-------------	------	------

NOTES1:

UL Standard

- 1.Rated Voltage/Current : 300V / 20A
- 2.Torque Value : M3.5 , 7.02Lb.in
- 3.Wire Range : 20~10AWG

IEC Standard

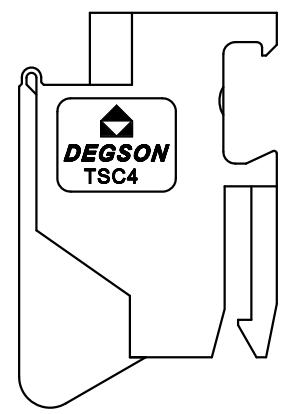
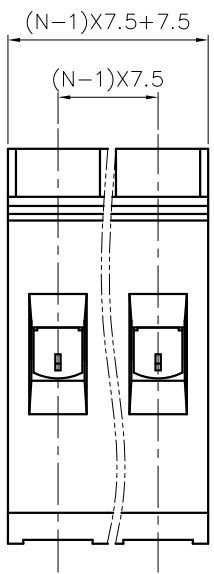
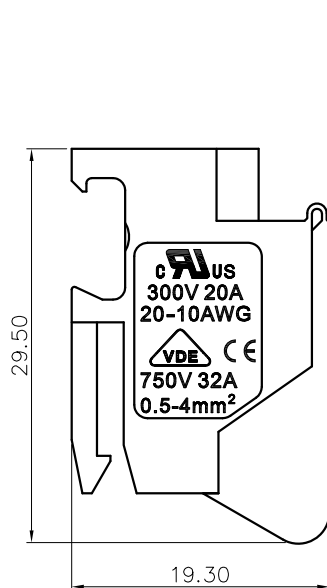
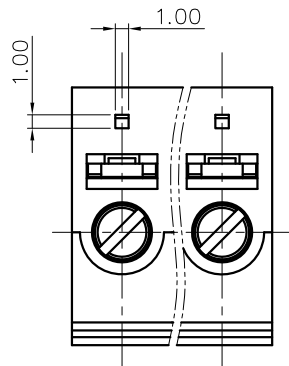
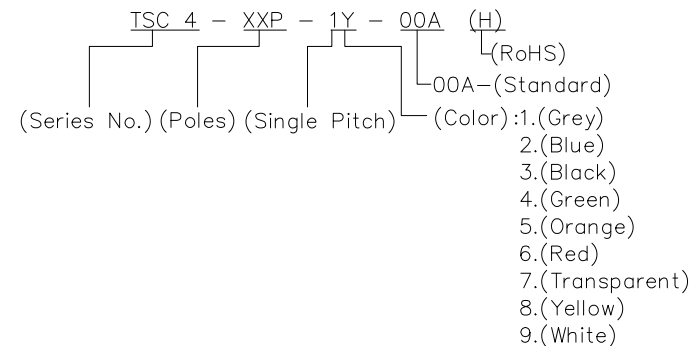
- 1.Rated Voltage/Current : 750V / 32A
- 2.Torque Value : M3.5 , 0.8N·m
- 3.Wire Range : 0.5~4mm²

NOTES2:

- 1.Dimension shall be interpreted per ASME Y14.5-2009
- 2.Pitch : 7.50mm, Poles : N=01~02P
- 3.Stripping length : 10~12mm
- 4.Withstanding Voltage : AC3000V/1Min.
- 5.Operating temperature: -40°C~+105°C
- 6.Undimensioned Tolerances:

Pitch range in mm		Nominal dimension range in mm					
TO	Over TO	Over TO	Over TO	Over TO	Over TO	0.1/10	
6	10	24	30	60	100	150	<
±0.15	±0.20	±0.30	±0.30	±0.50	±0.70	±1.00	±1.30
							±2'

7.RoHS Compliance



DETACHED LISTS	PART NO.:	NINGBO DEGSON ELECTRICAL CO., LTD		
	APPD:	NAME: TSC 4-XXP-1Y-00A(H)		
	CHKD:	TITLE: CUSTOMER DRAWING		
	DRFT:	DRAWING NO.:		REV
<p>THIRD ANGLE PROJECTION</p>		DO NOT SCALE DRAWING		DO
		SCALE	1/1	1:1