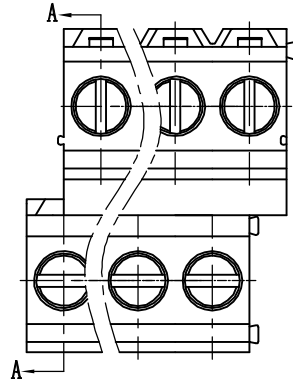
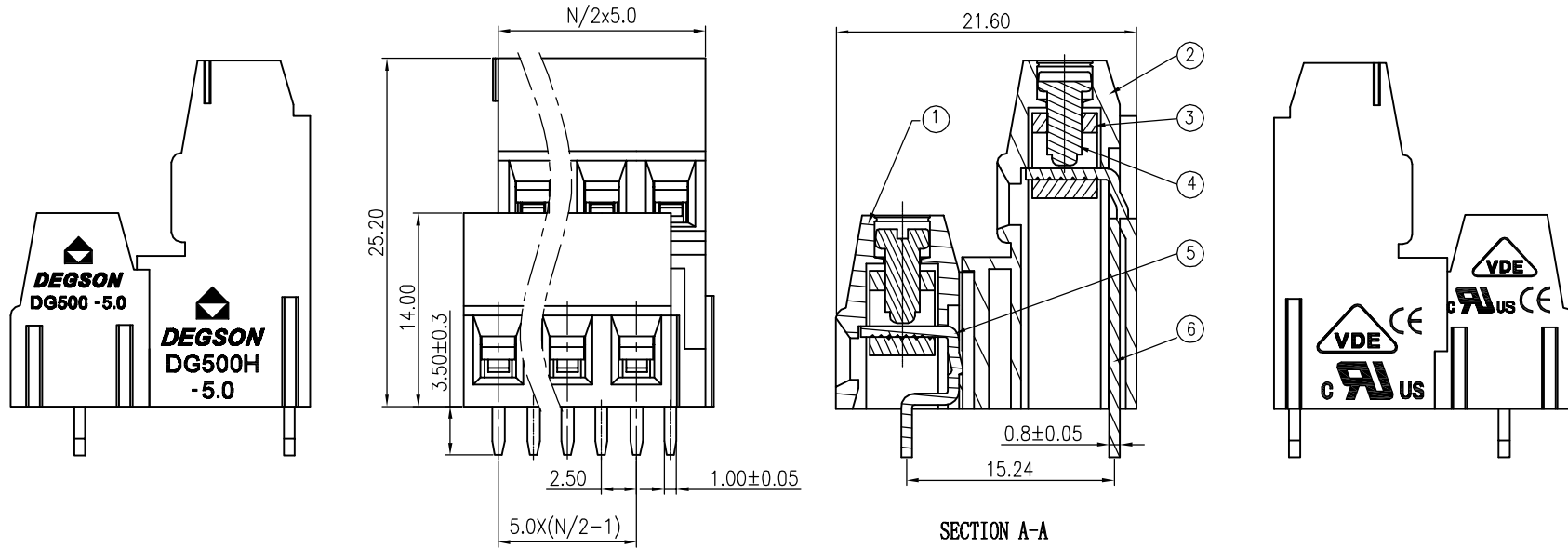


REVISION RECORD					
REV	ECN	DESCRIPTION	DRFT	DATE	
△		Drawing Revise	Haoyh	03/09/06	
△		修改线数: 改为每个焊脚代表一线	LJH	03/22/08	
△	10-0383	修改技术参数	ZXX	10/28/10	



- Notes:
1. Pitch: 5.0mm, Ploes: XXP
  2. Rated voltage/current: UL 300V/15A △  
VDE 250V/24A
  3. Operation temperatures: -40° C ~ +105° C
  4. Insulation Withstand Voltage: AC2000V/1min
  5. Insulation Resistance: 5000MΩ/DC1000V
  6. Wire Range: 24~12AWG, 2.5mm<sup>2</sup>
  7. Max. Torque Value: M2.5, 4.08kgf.cm
  8. Undimensioned Tolerances:

Pitch range in mm			Nominal dimension range in mm				
to 6	over 6 to 10	over 10 to 24	to 30	over 30 to 60	over 60 to 100	over 100 to 150	∩ ∇
±0.10	±0.15	±0.25	±0.2	±0.3	±0.5	±0.7	±1.0



ITEM	NAME OF PART	NO. OF PART	Q'TY	MATERIAL	NOTES
6	DG500H-Pin header	4038B00010 (H) △	XX/2	Barss	SnCe
5	DG128-Pin header	4027B00010 (H) △	XX/2	Barss	SnCe
4	DG128"-Screws	S000001460 (H) △	XX	Steel	Cr <sup>3+</sup> Zn
3	DG128 Brass Cage	X000000020 (H) △	XX	Brass	Ni plated
2	DG500H-5.0-Housing △	4037A0Y (XX/2) A (H)	1	PA66	UL94V-0

1	DG500-5.0-Housing △	4045A0Y (XX/2) A (H)	1	PA66	UL94V-0	
ITEM		NAME OF PART	NO. OF PART	Q'TY	MATERIAL	NOTES
TOLERANCES EXCEPT AS NOTED		MM (INCH)	DFTO longxc	DATE	03/25/04"	
		MM	CHKD	DATE		
		.0 ±	MFO	DATE		
		.00 ±	APPVL	DATE		
		.000 ±	MATERIAL :			
ANGLES ± 1°		G.E :				
THIRD ANGLE PROJECTION		FINISH :				
		SCALE :				

宁波高正电子有限公司  
 DEGSON ELECTRONICS CO., LTD  
 NAME: DG500B-5.0-XXP-1Y-00A(H)  
 DRAWING NO. DG500B-5.0-E01  
 /PART NO.  
 SIZE A3  
 REV T3  
 10/28/10"

DO NOT SCALE DRAWING SHEET 1 OF 1