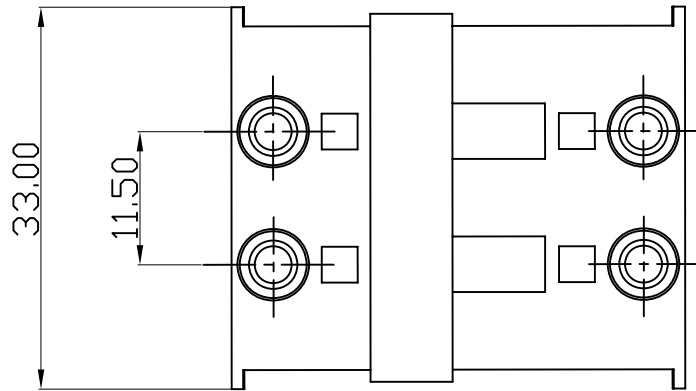
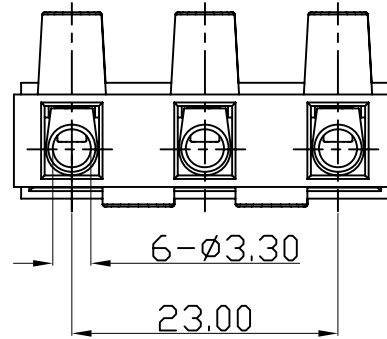
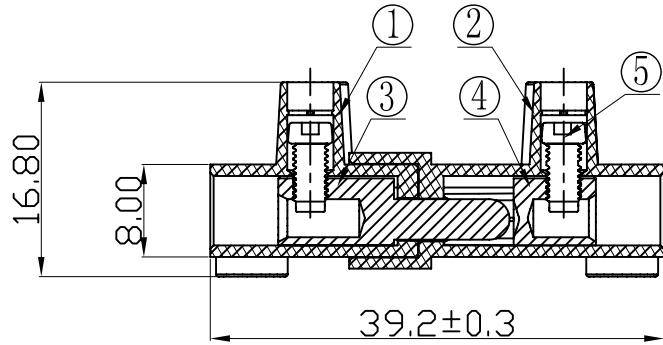
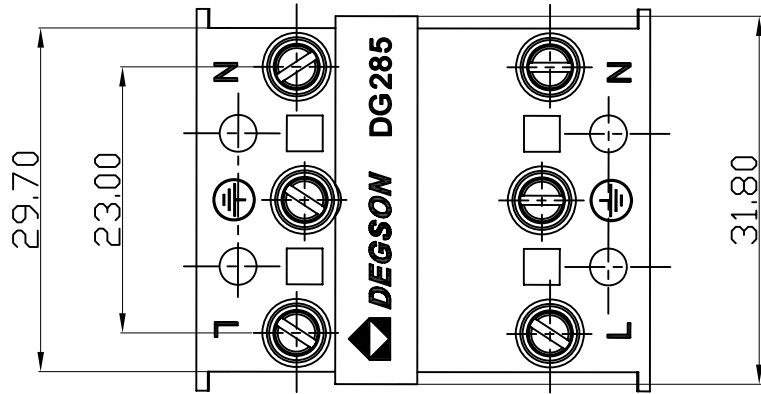


| REVISION RECORD | | | | |
|-----------------|-----|-------------|------|------|
| REV | ECN | DESCRIPTION | DRFT | DATE |
| | | | | |



Notes:

1. Pitch: 11.5mm, Poles: 3P;
2. Rated voltage/Current: UL1059: 300/16A; IEC: 400V/24A;
3. Temp. Range : -40° C ~ +105° C;
4. Wire range: 18-12AWG; 2.5mm²;
5. Max torque value: 5.10kgf.cm
6. insertion and pull-out force: insertion 8N-13N/P; Pull-out: 2N-6N/P;
7. Insulation resistance: 5000MΩ/1000V
8. Undimensioned Tolerances:

| Pitch range in mm | Nominal dimension range in mm | | | | | | — | |
|-------------------|-------------------------------|---------------|---------------|---------------|-----------------|-----------------|------|---------|
| | over 6 to 6 | over 10 to 10 | over 30 to 30 | over 60 to 60 | over 100 to 100 | over 150 to 150 | | |
| ±0.10 | ±0.15 | ±0.25 | ±0.2 | ±0.3 | ±0.5 | ±0.7 | ±1.0 | 0.05/10 |

| | | | | | |
|---|-------------------|----------------|------|-------|---------------------|
| 5 | DG129" — M3 Screw | S000001430 (H) | XX*2 | Steel | Cr ³⁺ Zn |
| 4 | DG280K Socket | X000004620 (H) | XX | Brass | Ni plated |
| 3 | DG280J Plug | X000004610 (H) | XX | Brass | Ni plated |
| 2 | DG285 Housing Two | 2086A0Y03A (H) | 1 | PA66 | UL94V-2 |

| 1 | DG285 Housing One | 2086A0Y03C (H) | 1 | PA66 | UL94V-2 |
|------------------------|----------------------------|----------------|----------------|---|------------------|
| ITEM | NAME OF PART | NO. OF PART | Q'TY | MATERIAL | NOTES |
| DETACHED LISTS | MM (INCH) | DFTD Mickey | DATE 06/20/09* | 宁波高正电子有限公司 DEGSON ELECTRONICS CO., LTD NAME DG285-03P-1Y-00A(H) DRAWING NO. DG285-E01 /PART NO. SCALE : DD NDT SCALE DRAWING | |
| | TOLERANCES EXCEPT AS NOTED | CHKD | DATE | | |
| | MM | MFD | DATE | | |
| | .0 ± | APPVL | DATE | | |
| | .00 ± | MATERIAL : | | | |
| 0.00 ± | ANGLES ± 1° | G.E : | | SIZE A4 | REV TO 01/25/10* |
| THIRD ANGLE PROJECTION | | FINISH: | | SHEET 1 OF 1 | |