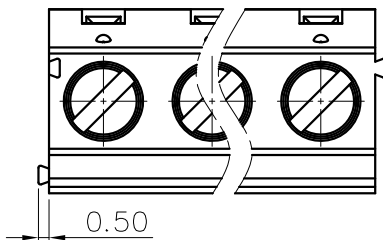


REVISION RECORD				
REV	ECN	DESCRIPTION	DRFT	DATE



NOTES1:

UL Standard

1.Rated Voltage/Current : 300V / 12A

2.Torque Value : M3 , 02P 3.54Lb.in  
 ≥03P 4.43Lb.in

3.Wire Range : 26~14AWG

VDE Standard

1.Rated Voltage/Current : 250V / 15A

2.Torque Value : M3 , 02P 0.4N.m  
 ≥03P 0.5N.m

3.Wire Range : 0.2~1.5mm<sup>2</sup>

NOTES2:

1.Dimension shall be interpreted per ASME Y14.5-2009

2.Pitch : 5.08mm, Poles : N=02~XXP

3.Stripping length : 6~7mm

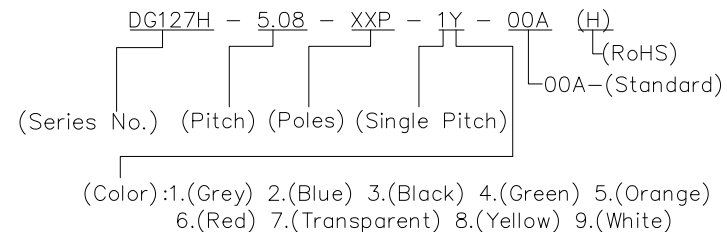
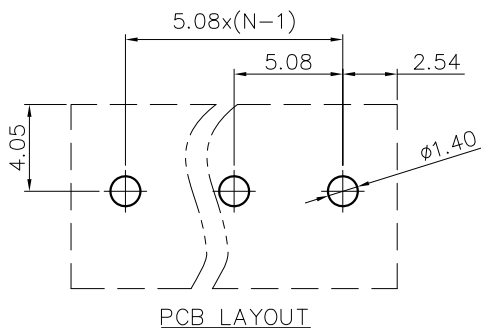
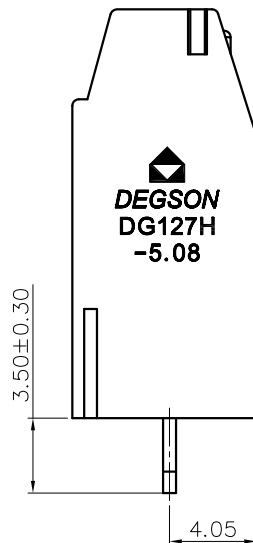
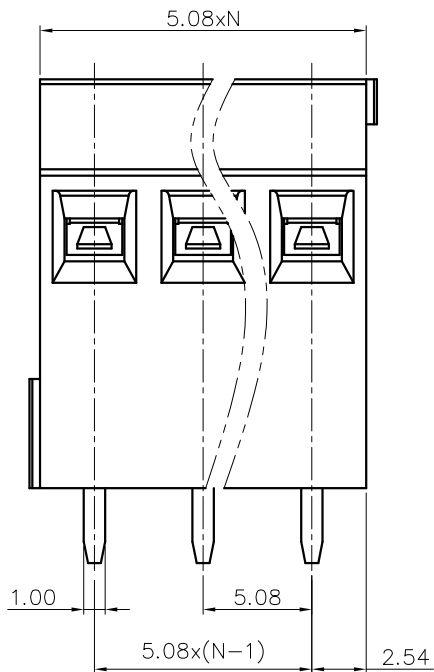
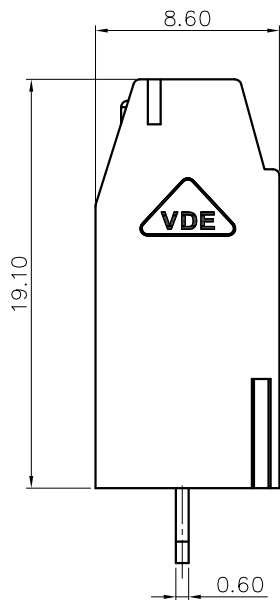
4.Withstanding Voltage : AC2000V/1Min.

5.Operating temperature : -40°C~+105°C

6.Undimensioned Tolerances:

Pitch range in mm		Nominal dimension range in mm					0.1/10		
TO	Over TO	Over TO	TO	Over TO	Over TO	Over TO			
6	6 TO 10	10 TO 24	30	30 TO 60	60 TO 100	100 TO 150	150	0.1/10	
	±0.15	±0.20	±0.30	±0.30	±0.50	±0.70	±1.00	±1.30	±2'

7.RoHS Compliance



DETACHED LISTS	PART NO.:	宁波高松电子有限公司 NINGBO DEGSON ELECTRICAL CO., LTD			
	APPD:	NAME: DG127H-5.08-XXP-1Y-00A(H)			
	CHKD:	TITLE: CUSTOMER DRAWING			
	DRFT:	DRAWING NO.:		REV	DO
THIRD ANGLE PROJECTION		DO NOT SCALE DRAWING		SHEET	1/1
		MM (INCH)		SCALE	1:1