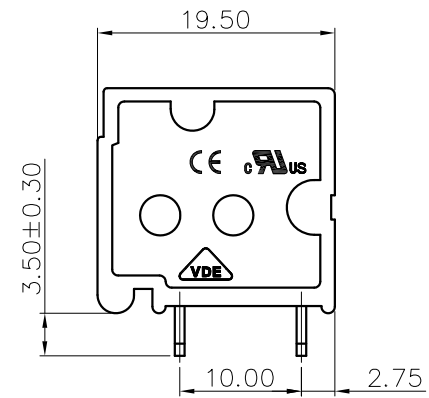
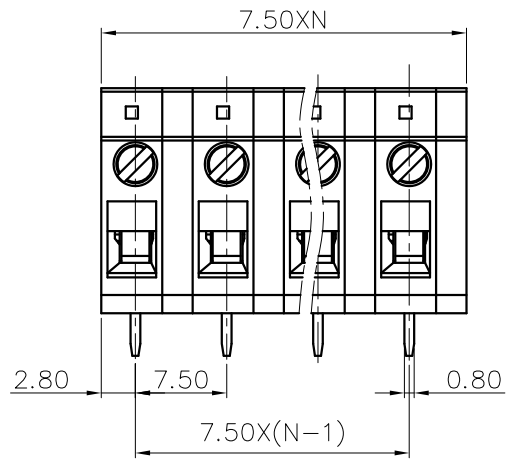
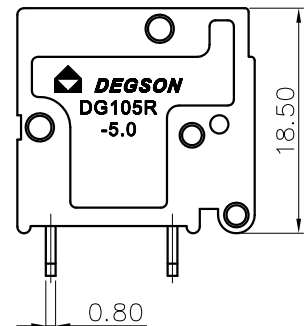


REVISION RECORD				
REV	ECN	DESCRIPTION	DRFT	DATE

H
G
F
E
D
C
B
A



NOTES1:

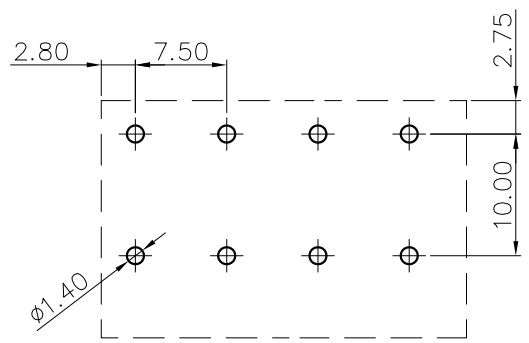
- UL Standard
 - Rated voltage/current : 300V / 20A
 - Torque value : M2.5 , 3.54Lb.in
 - Wire range : 30~12AWG
- IEC Standard
 - Rated voltage/current : 450V / 24A
 - Torque value : M2.5 , 0.4N·m
 - Wire range : 0.5~2.5mm²

NOTES2:

- Dimension shall be interpreted per ASME Y14.5-2009
- Pitch : 7.5mm, Poles : N=01~24P
- Stripping length : 12~13mm
- Withstanding voltage : AC2000V/1Min
- Operating temperature : -40°C~+105°C
- Undimensioned tolerances:

Pitch range in mm	Nominal dimension range in mm						0.1/10		
	Over 6 TO 6	Over 10 TO 10	Over 24 TO 24	Over 30 TO 30	Over 60 TO 60	Over 100 TO 100		Over 150 TO 150	
	±0.15	±0.20	±0.30	±0.30	±0.50	±0.70	±1.00	±1.30	±2'

7.RoHS Compliance



PCB_LAYOUT

DG105R - 7.5 - XXP - 1Y - 10A (H)
 (Series No.) (Pitch) (Poles) (Single Pitch) (Color):1.(Grey)2.(Blue)3.(Black)4.(Green)5.(Orange)6.(Red)7.(Transparent)8.(Yellow)9.(White)
 (RoHS)
 10A-(Customer Requester)

DETACHED LISTS	PART NO.:	/			
	APPD:	/			
	CHKD:	/			
	DRFT:	/			
	NAME:	NINGBO DEGSON ELECTRICAL CO., LTD			
	TITLE:	CUSTOMER DRAWING		REV	DO
	DRAWING NO.:	/		SHEET	1/1
	THIRD ANGLE PROJECTION	MM (INCH)	DO NOT SCALE DRAWING	SCALE	1:1

H
G
F
E
D
C
B
A