

REVISION RECORD

REV	ECN	DESCRIPTION	DRFT	DATE
-----	-----	-------------	------	------

NOTES1:

UL Standard

1. Rated Voltage/Current : 300V / 30A
2. Withstanding Voltage : AC1600V/1Min.
3. Torque Value : M3.5 , 7.02Lb.in
4. Wire Range : 30~10AWG

IEC Standard

1. Pollution Degree	2	2	3
Overvoltage Category	II	III	III
Rate Impulse Voltage(KV)	6KV	6KV	6KV
Rate Voltage(V)	1000V	1000V	690V
Rate Current(A)	32A		

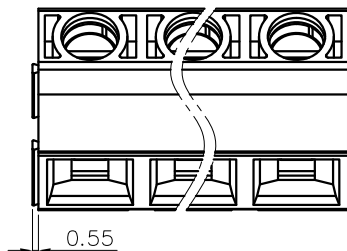
2. Torque Value : M3.5 , 0.8N.m
3. Wire Range : 0.2~4.0mm<sup>2</sup>

NOTES2:

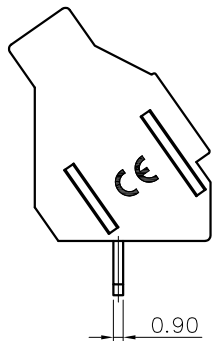
1. Dimension shall be interpreted per ASME Y14.5-2009
2. Pitch : 9.52mm, Poles : N=02~XXP
3. Stripping length : 8-9mm
4. Operating temperature: -40°C~+105°C
5. Undimensioned Tolerances:

Pitch Range In mm		Nominal Dimension Range In mm				0.1/10
To	Over	To	Over	To	Over	
6	6	6	30	60	100	150
10	10	24	30	60	100	150
±0.15	±0.25	±0.30	±0.30	±0.50	±0.70	±1.00 ±1.30

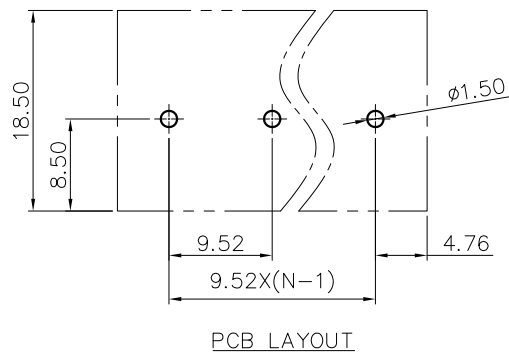
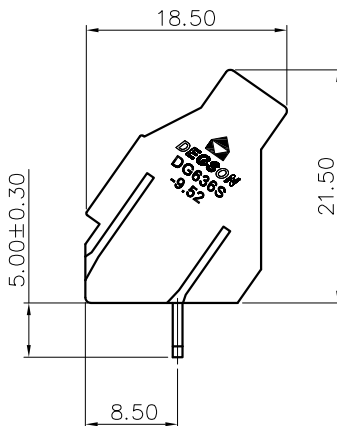
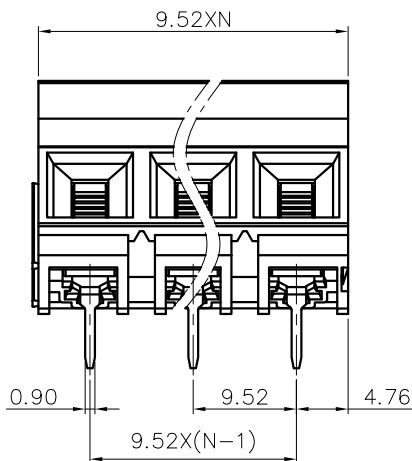
6. RoHS Compliance



0.55



0.90



PCB LAYOUT

DG636S - 9.52 - XXP - 1Y - 00A (H)  
 (Series No.) (Pitch) (Poles) (Single Pitch) (RoHS)  
 00A-(Standard)  
 (Color): 1.(Grey) 2.(Blue) 3.(Black) 4.(Green) 5.(Orange)  
 6.(Red) 7.(Transparent) 8.(Yellow) 9.(White)

DETACHED LISTS	PART NO.:	/			
	APPD:	/			
	CHKD:	/			
	DRFT:	/			
	 THIRD ANGLE PROJECTION		 DO NOT SCALE DRAWING		
	DRAWING NO.:		/		
	MM (INCH)		REV	DO	
	SCALE		SHEET	1/1	

NINGBO DEGSON ELECTRICAL CO., LTD

DEGSON®

DG636S-9.52-XXP-1Y-00A(H)

CUSTOMER DRAWING

SCALE 1:1