

REVISION RECORD

REV	ECN	DESCRIPTION	DRFT	DATE
-----	-----	-------------	------	------

NOTES1:

UL Standard

1. Rated Voltage/Current : 600V / 41A
2. Withstanding Voltage : AC2200V/1Min.
3. Torque Value : M3 , 4.43Lb.in
4. Wire Range : 24~8AWG

IEC Standard

1. Pollution Degree	2	2	3
Overvoltage Category	II	III	III
Rate Impulse Voltage(KV)	6KV	8KV	8KV
Rate Voltage(V)	1000V	1000V	1000V
Rate Current(A)	41A		

2. Torque Value : M3 , 0.5N.m
3. Wire Range : 0.5~6mm²

NOTES2:

1. Dimension shall be interpreted per ASME Y14.5-2009
2. Pitch : 7.62mm, Poles : N=02~12P
3. Stripping length : 7mm
4. Operating temperature: -40°C~+105°C
5. Undimensioned Tolerances:

Pitch Range In mm		Nominal Dimension Range In mm				Tolerances			
TO	Over TO	Over TO	Over TO	Over TO	Over TO	0.1/10	0.1/10		
6	6 TO 10	10 TO 24	30 TO 60	60 TO 100	100 TO 150	<	<		
	±0.15	±0.20	±0.30	±0.30	±0.50	±0.70	±1.00	±1.30	±2*

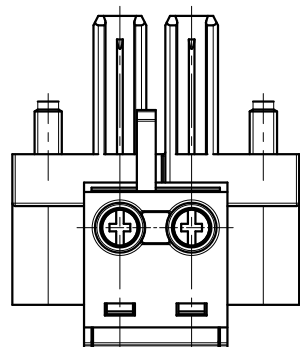
6. RoHS Compliance

5EDGKHM - 7.62 - XXP - 1Y - 02A (H) (RoHS)

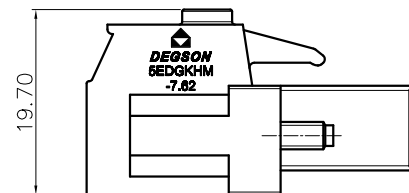
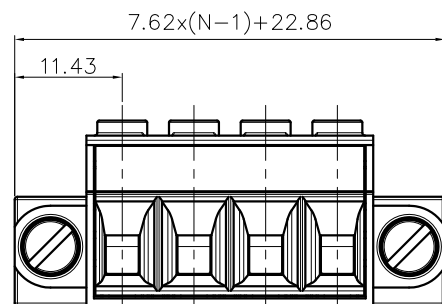
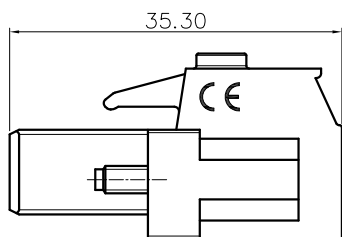
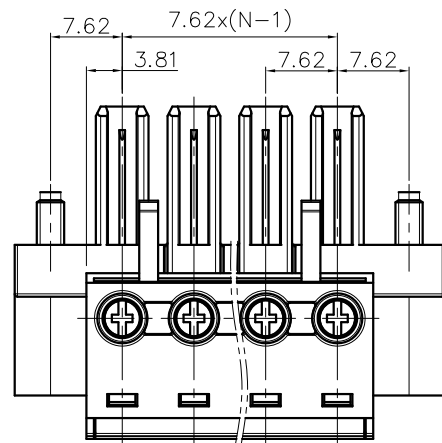
(Series No.) (Pitch) (Poles) (Single Pitch) (Color):

- 1.(Grey)
- 2.(Blue)
- 3.(Black)
- 4.(Green)
- 5.(Orange)
- 6.(Red)
- 7.(Transparent)
- 8.(Yellow)
- 9.(White)

02A-(Customer Request)



2P



DETACHED LISTS	PART NO.:	/			
	APPD:	/			
	CHKD:	/			
	DRFT:	/			
	THIRD ANGLE PROJECTION		DRAWING NO.:		/
		MM (INCH)		DO NOT SCALE DRAWING	
		TITLE: CUSTOMER DRAWING		REV	DO
		SHEET		1/1	
		SCALE		1:1	