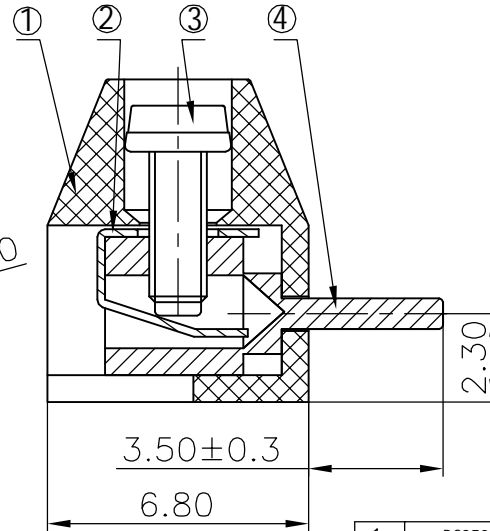
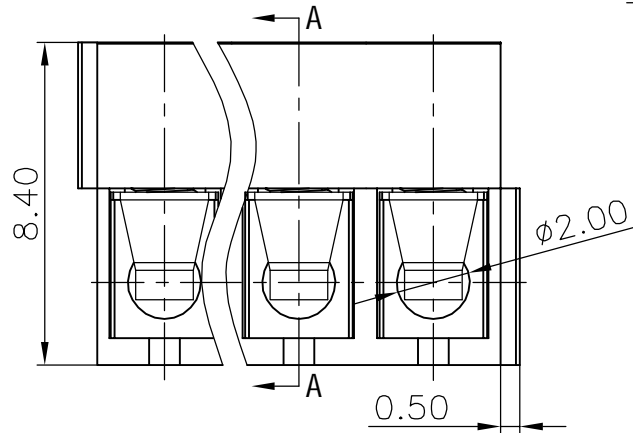
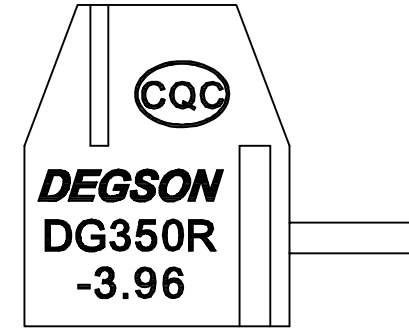
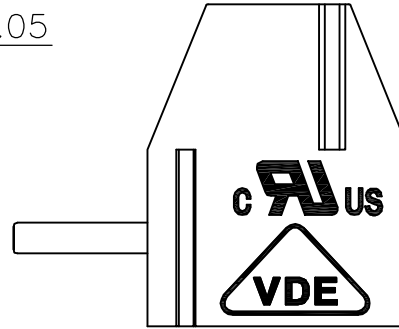
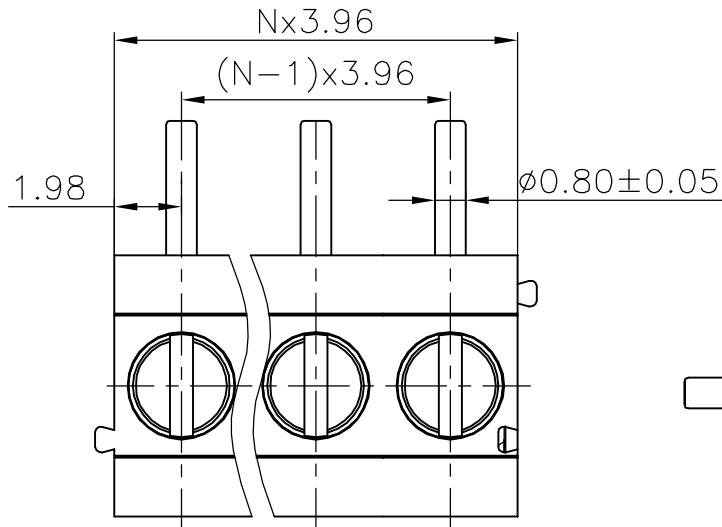


REVISION RECORD				
REV	ECO	DESCRIPTION	DRFT	DATE
△		Drawing Revise	Haoyh	03/18/06
△		图面更新	CSX	05/22/06
△		品名、料号增加环保标示“(H)”	CSX	12/10/07



- Notes:
- Pitch: 3.96mm
 - Rated voltage/current: UL 300V/10A
VDE 130V/10A
 - Operation temperatures: -40°C ~ +105°C
 - Withstanding Voltage: AC2000V/1Min
 - Insulation Resistance: 5000MΩ / DC1000V
 - Wire Range: 24~18AWG, 1.0mm²
 - Max. Torque Value: 2.04kgf.cm
 - Undimensioned Tolerances:

Pitch range in mm		Nominal dimension range in mm						
to	over	to	over	over	over	over		
6	6	10	30	60	100	150	∩	
6	10	24	30	60	100	150	∇	
±0.10	±0.15	±0.25	±0.2	±0.3	±0.5	±0.7	±1.0	0.05/10

4	DG350R-Pin header	4018B00010(H)	XX	Brass	SnCe
3	DG350-Screws	S000001400(H)	XX	Steel	Cr ³⁺ Zn
2	DG350-Spring	X000000290(H)	XX	Phosphor bronze	Ni plated

ITEM	NAME OF PART	NO. OF PART	Q'TY	MATERIAL	NOTES
1	DG350R-3.96-Housing	4041A0YXXA(H)	1	PA66	UL94V-0

DFTO Zhwm DATE 07/14/04 CHKD DATE TOLERANCES EXCEPT AS NOTED MFO DATE APPVL DATE MATERIAL : ANGLES ± 1° THIRD ANGLE PROJECTION	宁波高正电子有限公司 DEGSON [®] DEGSON ELECTRONICS CO., LTD NAME DG350R-3.96-XXP-1Y-00A(H) DRAWING NO. DG350R-3.96-E04 /PART NO. DO NOT SCALE DRAWING	SIZE A3 REV T3 12/10/07 SHEET 1 OF 1
---	---	--