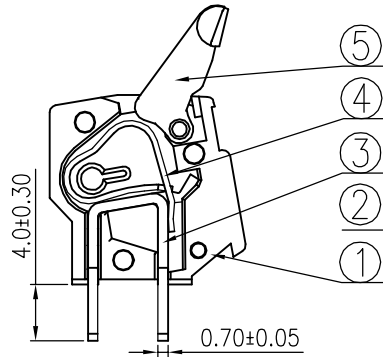
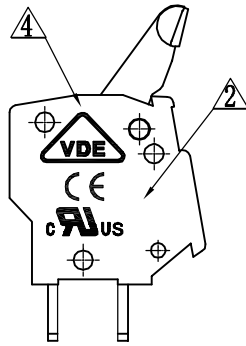
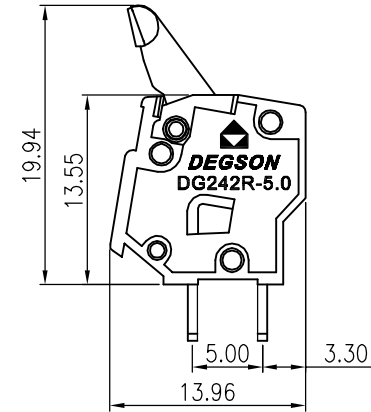
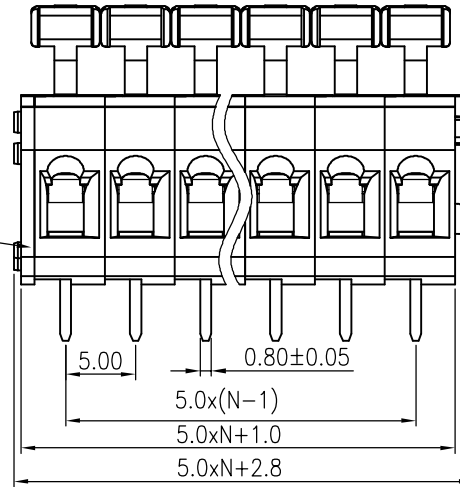


REVISION RECORD					
REV	ECO	DESCRIPTION	DRFT	DATE	
⚠		品名、料号增加环保标示“(H)”	LJH	12/08/07	
⚠		增加UL、CE刻字	CSX	04/12/08	
⚠		修改参数	LJH	12/16/08	
⚠	09-0120	增加VDE刻字及参数	GHY	11/23/09	



TAKE OFF COVER VIEW



Notes:

1. Pitch: 5.0mm, Poles: XXP
2. Rated voltage/current: UL 300V/15A  
VDE 450V/17A ⚠
3. Operation temperatures: -40°C ~ +105°C
4. Withstanding Voltage: AC2000V/1Min
5. Insulation Resistance: 5000MΩ/DC1000V
6. Wire Range: 28~12AWG, 0.2~2.5mm<sup>2</sup>
7. Undimensioned Tolerances:

Pitch range in mm			Nominal dimension range in mm					
	over 6	over 10		over 30	over 60	over 100	over 150	∩
to 6	to 10	to 24	to 30	to 60	to 100	to 150		◇
±0.10	±0.15	±0.25	±0.2	±0.3	±0.5	±0.7	±1.0	0.05/10

5	DG243-Button	3027D1701A (H)	XX	POM	UL94HB
4	DG242V-Shrapnel	X000000990 (H)	XX	Stainless steel	
3	DG242R-Pin header	3026B00010 (H)	XX	Phosphor bronze	SnCe Plated
2	DG242R-Cover	3026C0Y01A (H)	1	PA66	UL94V-0
1	DG242R-5.0-Housing	3026A0Y01A (H)	XX	PA66	UL94V-0
ITEM	NAME OF PART	NO. OF PART	Q'TY	MATERIAL	NOTES

DETACHED LISTS	MM (INCH)	DFTO Alan	DATE 05/10/06	宁波高正电子有限公司 DEGSON ELECTRONICS CO., LTD
	TOLERANCES EXCEPT AS NOTED	CHKD	DATE	
		MFO	DATE	
		APPVL	DATE	
	MM			NAME
.0 ±	±			DG242R-5.0-XXP-1Y-00A(H)
.00 ±	±			DRAWING NO. DG242R-5.0-E01
.000 ±	±			/PART NO.
	MATERIAL :			SIZE A3
ANGLES ± 1°	G.E. :			REV T4
	FINISH :			11/23/09
THIRD ANGLE PROJECTION	SCALE : 1:1			DO NOT SCALE DRAWING
				SHEET 1 OF 1