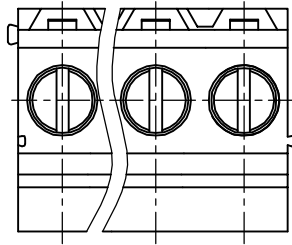
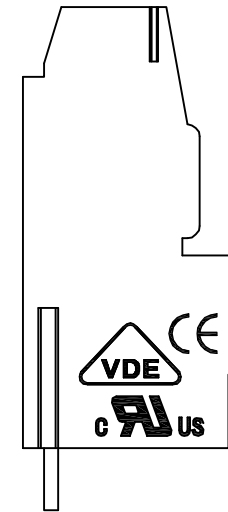
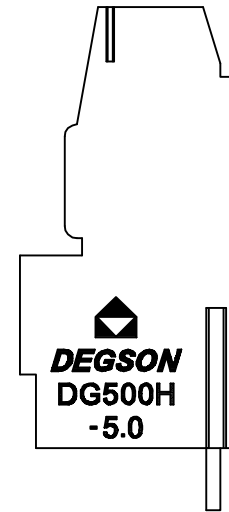
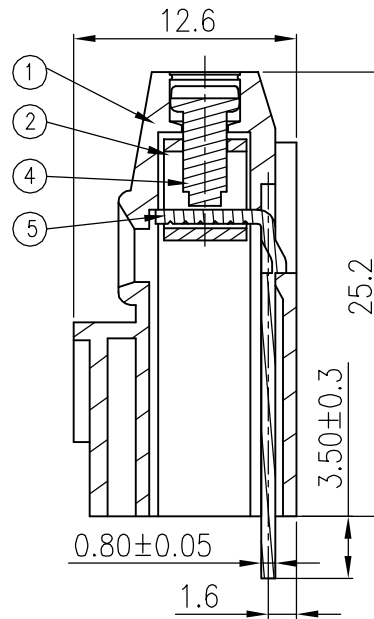
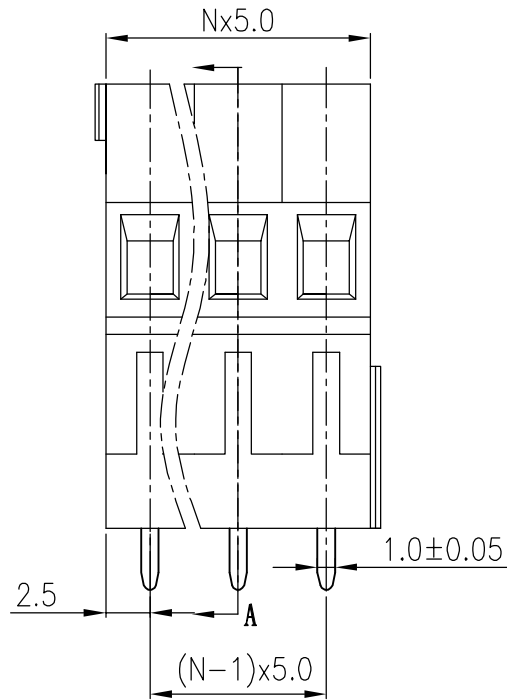


REVISION RECORD				
REV	ECD	DESCRIPTION	DRFT	DATE
△		Drawing Revise	Haoyh	03/28/06
△		品名、料号增加环保标示“04”	CSX	12/10/07
△		修改图面	CSX	04/21/08



- Notes:
1. Pitch:5.0mm Poles:2-XXP
 2. Rated voltage/current:UL 300V/20A
VDE 250V/24A
 3. Operation temperatures:-40° C~+105° C
 4. Insulation Withstand Voltage:AC2000V/1min
 5. Insulation Resistance:5000MΩ/DC1000V
 6. Wire Range:28-12AWG 2.5m²
 7. Max. Torque Value: M2.5 4.08kgf.cm
 8. Undimensioned Tolerances:

Pitch range in mm			Nominal dimension range in mm					
	over 6 to 10	over 10 to 24	to 30	over 30 to 60	over 60 to 100	over 100 to 150	over 150	∩
to 6	to 10	to 24	to 30	to 60	to 100	to 150		∩
±0.10	±0.15	±0.25	±0.2	±0.3	±0.5	±0.7	±1.0	0.05/10



4	500H Pin header	4038B00010 (H)	XX	Brass	SnCe
3	128-Screws	S000001460 (H)	XX	Steel	Cr ³⁺ Zn
2	128-Cage	X000000020 (H)	XX	Brass	Ni plated

ITEM	NAME OF PART	NO. OF PART	Q'TY	MATERIAL	NOTES																
1	DG500H-5.00-Housing	4037A0YXXA (H)	1	PA66	UL94V-0																
<table border="1"> <tr> <td>MM (INCH)</td> <td>DATE 07/14/04</td> </tr> <tr> <td>CHKD</td> <td>DATE</td> </tr> <tr> <td>MFD</td> <td>DATE</td> </tr> <tr> <td>APPVL</td> <td>DATE</td> </tr> <tr> <td>MATERIAL :</td> <td></td> </tr> <tr> <td>ANGLES ± 1°</td> <td>G.E :</td> </tr> <tr> <td>FINISH:</td> <td></td> </tr> <tr> <td>THIRD ANGLE PROJECTION</td> <td>SCALE : 1:1</td> </tr> </table>						MM (INCH)	DATE 07/14/04	CHKD	DATE	MFD	DATE	APPVL	DATE	MATERIAL :		ANGLES ± 1°	G.E :	FINISH:		THIRD ANGLE PROJECTION	SCALE : 1:1
MM (INCH)	DATE 07/14/04																				
CHKD	DATE																				
MFD	DATE																				
APPVL	DATE																				
MATERIAL :																					
ANGLES ± 1°	G.E :																				
FINISH:																					
THIRD ANGLE PROJECTION	SCALE : 1:1																				
<p>DEGSON® 宁波高正电子有限公司 DEGSON ELECTRONICS CO., LTD</p> <p>NAME DG500H-5.0-XXP-1Y-00A(H)</p> <p>DRAWING NO. DG500H-5.0-E01 /PART NO.</p> <p>DO NOT SCALE DRAWING</p>																					
				SIZE A3	REV T3 04/21/08																
				SHEET 1	OF 1																